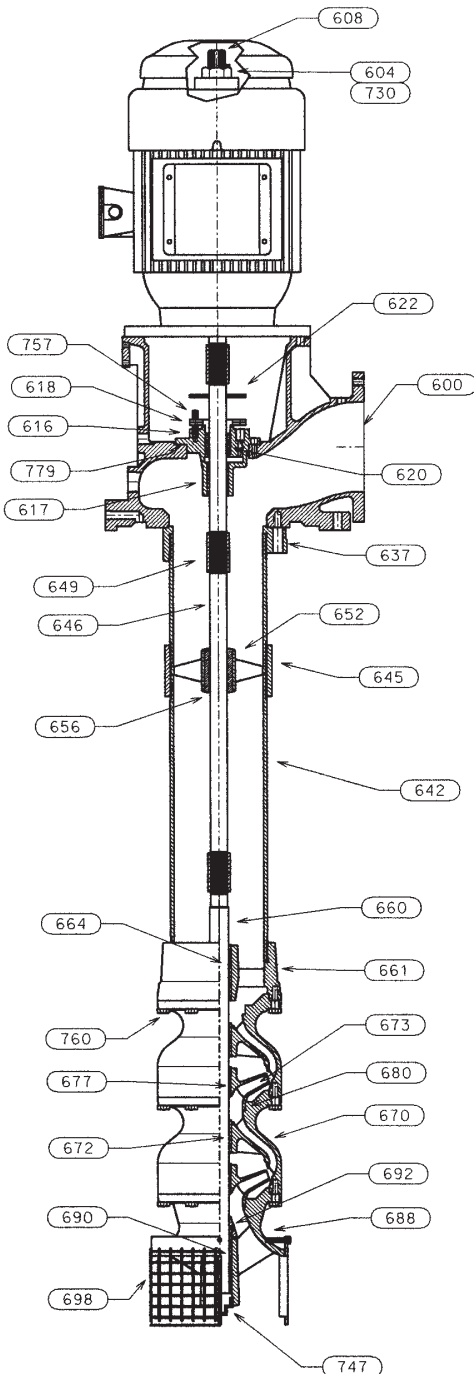


Sectional Type "VIT-CATM" 200.H.01

LINESHAFT, W/L, "A" CAST HEAD, THREADED COLUMN PACKING



DISCHARGE HEAD ASSEMBLY

Item	Description	GPI	Material Description	ASTM
608	Headshaft	2227	SST 416	A582 S41600
604	Adjusting Nut	2130	Brass	B16 C36000
730	Gib Key	2242	Steel 1018	A108 G10180
622	Slinger	5121	Rubber	3CA715A25 B14
600	Discharge Head	1003	Cast Iron	A48 CL30
617	Stuffing Box Bearing	1109	Bronze	B584 C90300
616	Stuffing Box	1003	Cast Iron	A48 CL30
779	Stuffing Box Gasket	5136	Acrylic Gasket	Garlock Blue Guard
618	Split Gland	1205	SST 304	A744 S30400
757	Gland Adjusting Screw	2229	SST 316	A276 S31600
620	Packing	5026	Acrylic Yarn	Packmaster 2
637	Column Flange	1003	Cast Iron	A48 CL30

COLUMN AND LINESHAFT ASSEMBLY

645	Column Coupling	6501	Black Pipe	A53
642	Column Pipe	6501	Black Pipe	A53
646	Lineshaft	2227	SST 416	A582 S41600
652	Bearing Retainer	1102	Bronze	B584 C87600
656	Lineshaft Bearing	5121	Rubber	3CA715A25 B14
649	Lineshaft Coupling	2265	SST 416	A582 S41600

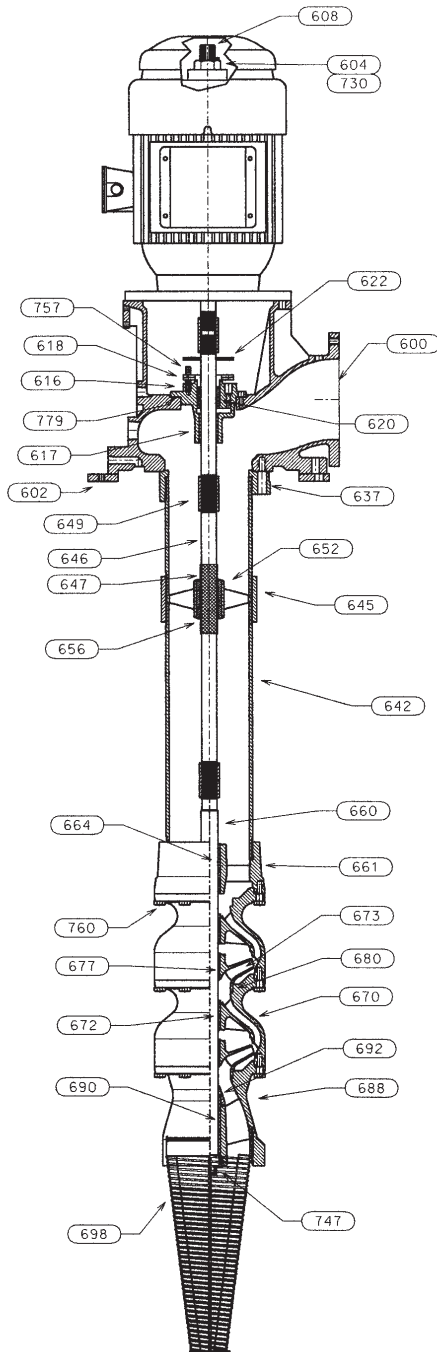
BOWL ASSEMBLY

660	Bowl Shaft	2227	SST 416	A582 S41600
661	Discharge Bowl	1003	Cast Iron	A48 CL30
664	Discharge Bearing	1109	Bronze	B584 C90300
670	Intermediate Bowl	6911	Coated Cast Iron	A48 CL30
672	Inter Bowl Bearing	1109	Bronze	B584 C90300
673	Impeller	1102	Bronze	B584 C87600
677	Impeller Taper Lock	2242	Steel 1018	A108 G10180
680	Wear Rings (optional)	1117	Bronze	B148 C95200
760	Hex Bolt	2298	Grade 8	SAE J429 GR8
692	Sand Collar	1109	Bronze	B584 C90300
688	Suction Bowl / Bell	1003	Cast Iron	A48 CL30
690	Suction Bearing	1109	Bronze	B584 C90300
698	Suction Strainer	6952	Galvanized Steel	A108 G10180
747	Plug	1046	Mal Iron	A197

Quote No.:	_____
Customer:	_____
Customer P/O:	_____
Project:	_____
Item:	_____
Pump Model:	_____
Date:	_____
Quantity:	_____
Stages:	_____
By:	_____

Sectional Type "DWT-CATM" 200.H.02

LINESHAFT, W/L, "A" CAST HEAD, THREADED COLUMN PACKING



DISCHARGE HEAD ASSEMBLY

Item	Description	GPI	Material Description	ASTM
602	Sole Plate	3201	Carbon Steel	A283
608	Headshaft	2227	SST 416	A582 S41600
604	Adjusting Nut	2130	Brass	B16 C36000
730	Gib Key	2242	Steel 1018	A108 G10180
622	Slinger	5121	Rubber	3CA715A25 B14
600	Discharge Head	1003	Cast Iron	A48 CL30
617	Stuffing Box Bearing	1109	Bronze	B584 C90300
616	Stuffing Box	1003	Cast Iron	A48 CL30
779	Stuffing Box Gasket	5136	Acrylic Gasket	Garlock Blue Guard
618	Split Gland	1205	SST 304	A744 S30400
757	Gland Adjusting Screw	2229	SST 316	A276 S31600
620	Packing	5026	Acrylic Yarn	Packmaster 2
637	Column Flange	1003	Cast Iron	A48 CL30

COLUMN AND LINESHAFT ASSEMBLY

645	Column Coupling	6501	Black Pipe	A53
642	Column Pipe	6501	Black Pipe	A53
646	Lineshaft	2205	Steel C1045	A108 C10450
647	Lineshaft Sleeve	2220	SST 304	A276 S30400
652	Bearing Retainer	1102	Bronze	B584 C87600
656	Lineshaft Bearing	5121	Rubber	3CA715A25 B14
649	Lineshaft Coupling	2205	Steel C1045	A108 C10450

BOWL ASSEMBLY

660	Bowl Shaft	2227	SST 416	A582 S41600
661	Discharge Bowl	1003	Cast Iron	A48 CL30
664	Discharge Bearing	1109	Bronze	B584 C90300
670	Intermediate Bowl	6911	Coated Cast Iron	A48 CL30
672	Inter Bowl Bearing	1109	Bronze	B584 C90300
673	Impeller	1102	Bronze	B584 C87600
677	Impeller Taper Lock	2242	Steel 1018	A108 G10180
680	Wear Rings (optional)	1117	Bronze	B148 C95200
760	Hex Bolt	2298	Grade 8	SAE J429 GR8
692	Sand Collar	1109	Bronze	B584 C90300
688	Suction Bowl / Bell	1003	Cast Iron	A48 CL30
690	Suction Bearing	1109	Bronze	B584 C90300
698	Suction Strainer	6952	Galvanized Steel	A108 G10180
747	Plug	1046	Mal Iron	A197

Quote No.:	_____
Customer:	_____
Customer P/O:	_____
Project:	_____
Item:	_____
Quantity:	_____
Pump Model:	_____
Stages:	_____
Date:	_____
By:	_____

Xylem Inc.

www.xylem.com/brands/gouldswatertechnology

Goulds is a registered trademark of Goulds Pumps, Inc. and is used under license.

© 2012 Xylem Inc. D200H01 January 2009

GOULDS
WATER TECHNOLOGY
a xylem brand