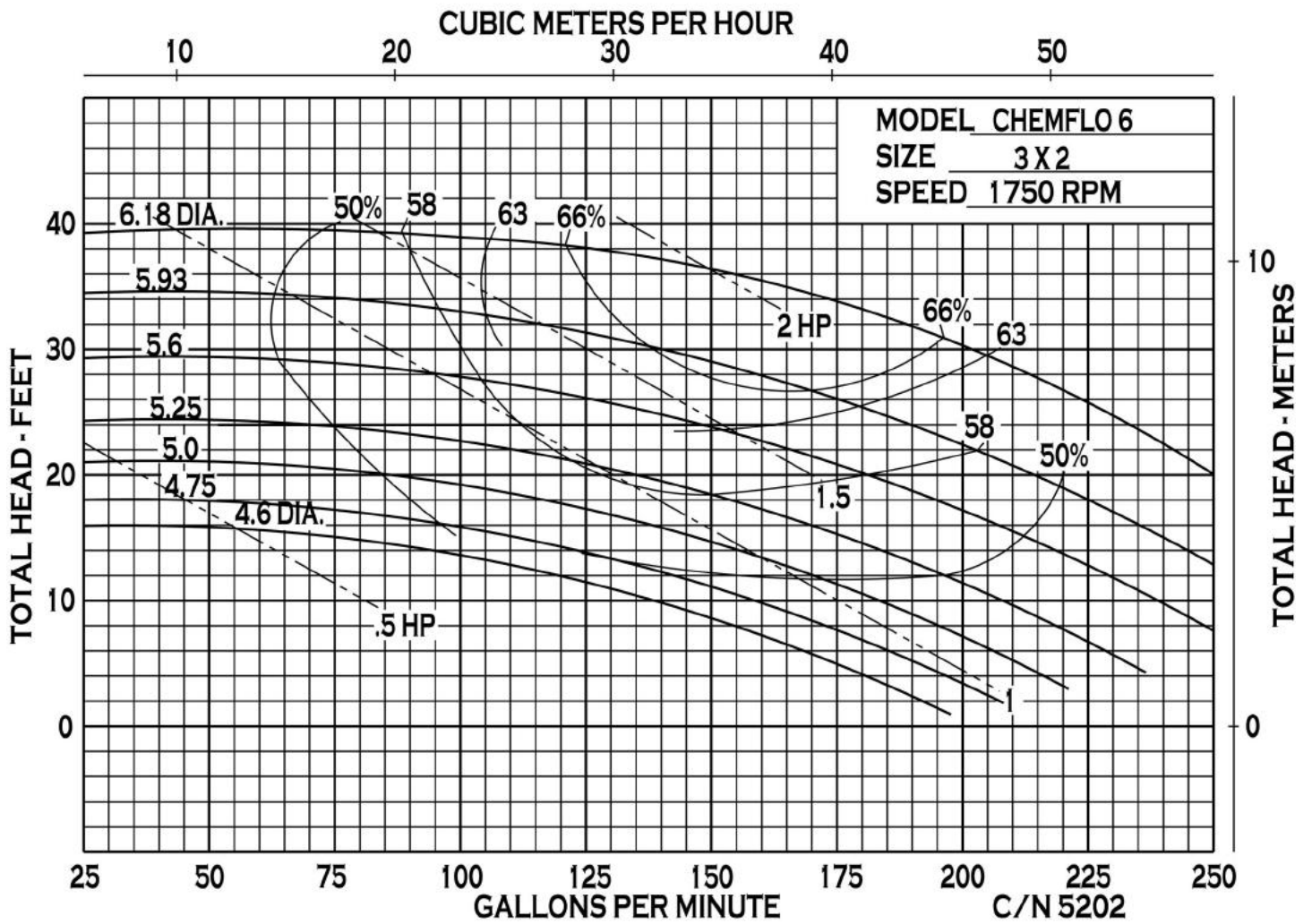
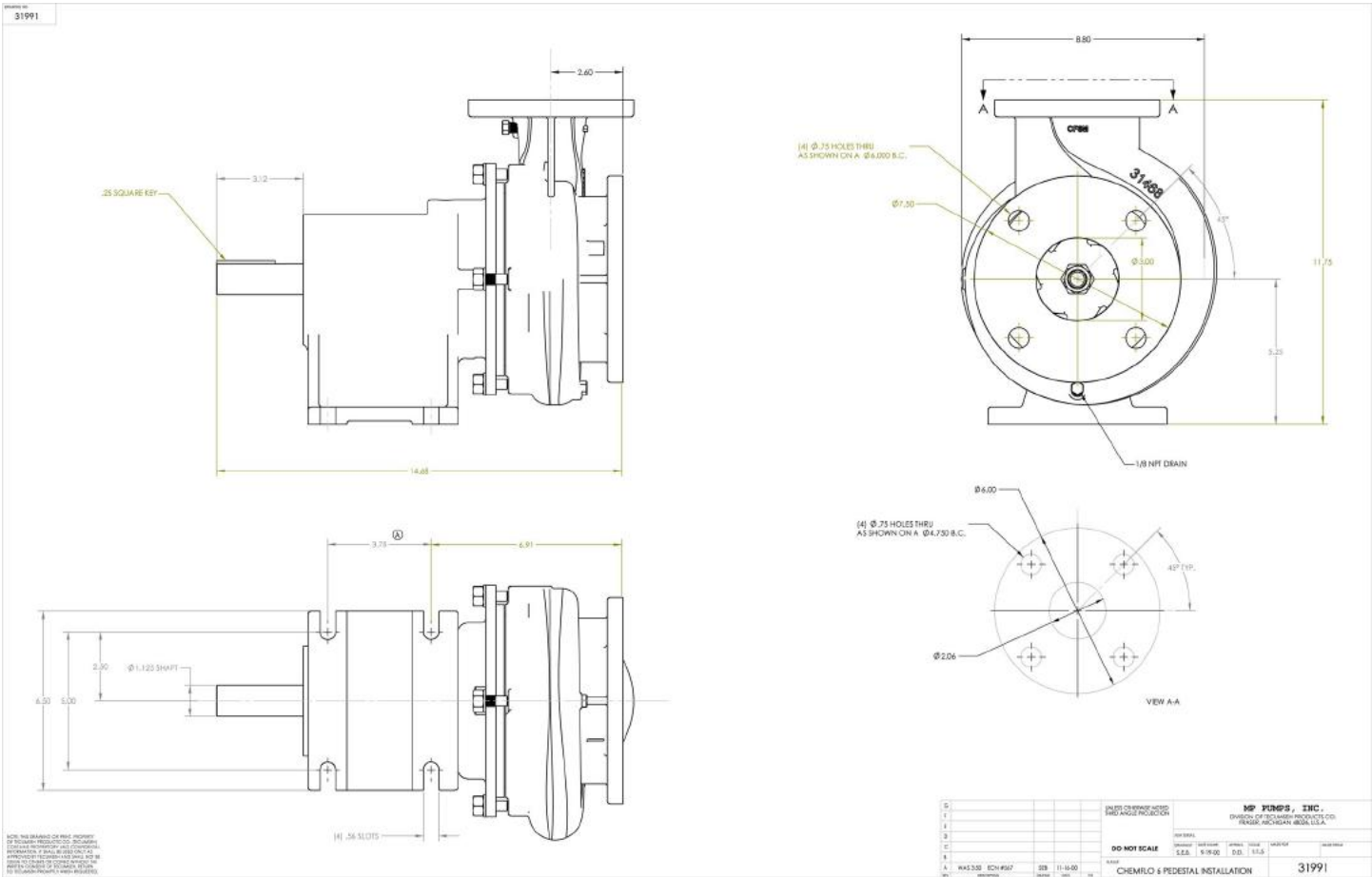
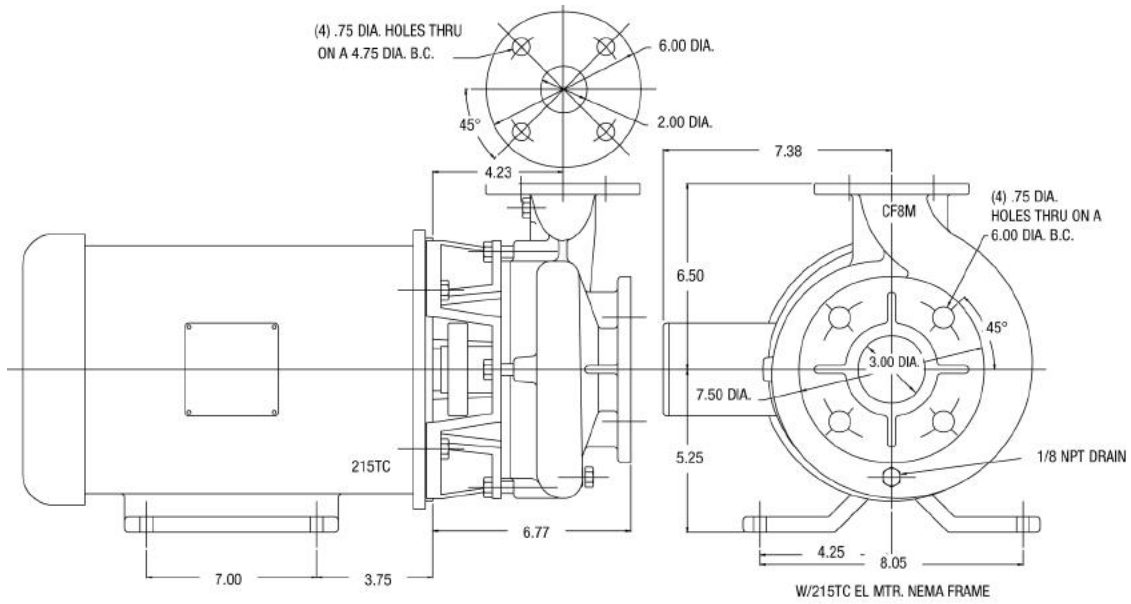


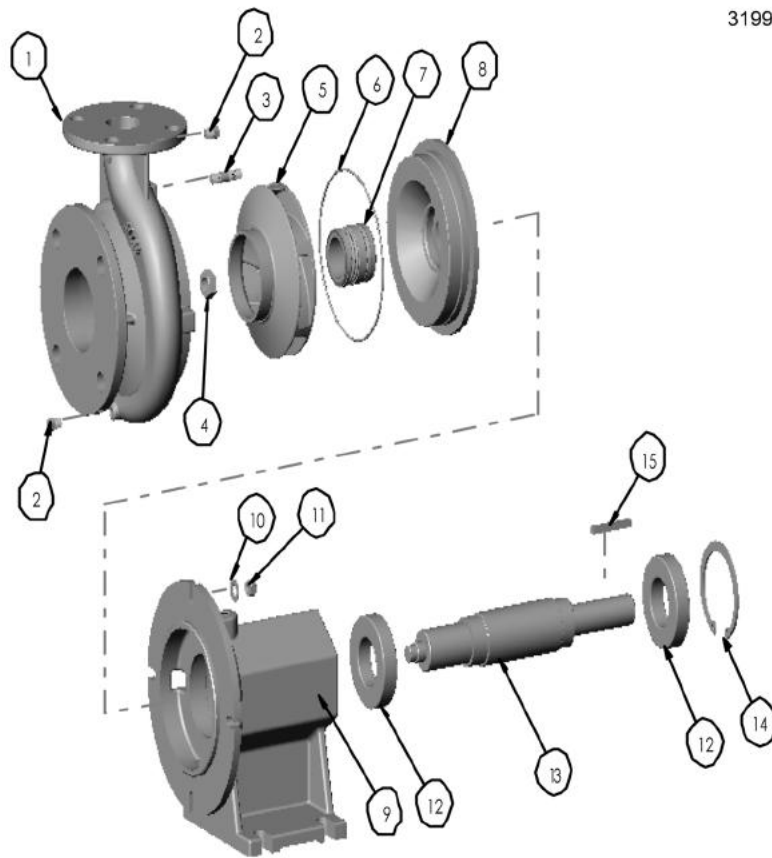
34800 BENNETT • FRASER, MI 48026-1686
 (586) 293-8240 • FAX (586) 293-8469
 (800) 563-8006 • www.mppumps.com



34800 BENNETT • FRASER, MI 48026-1686
 (586) 293-8240 • FAX (586) 293-8469
 (800) 563-8006 • www.mppumps.com



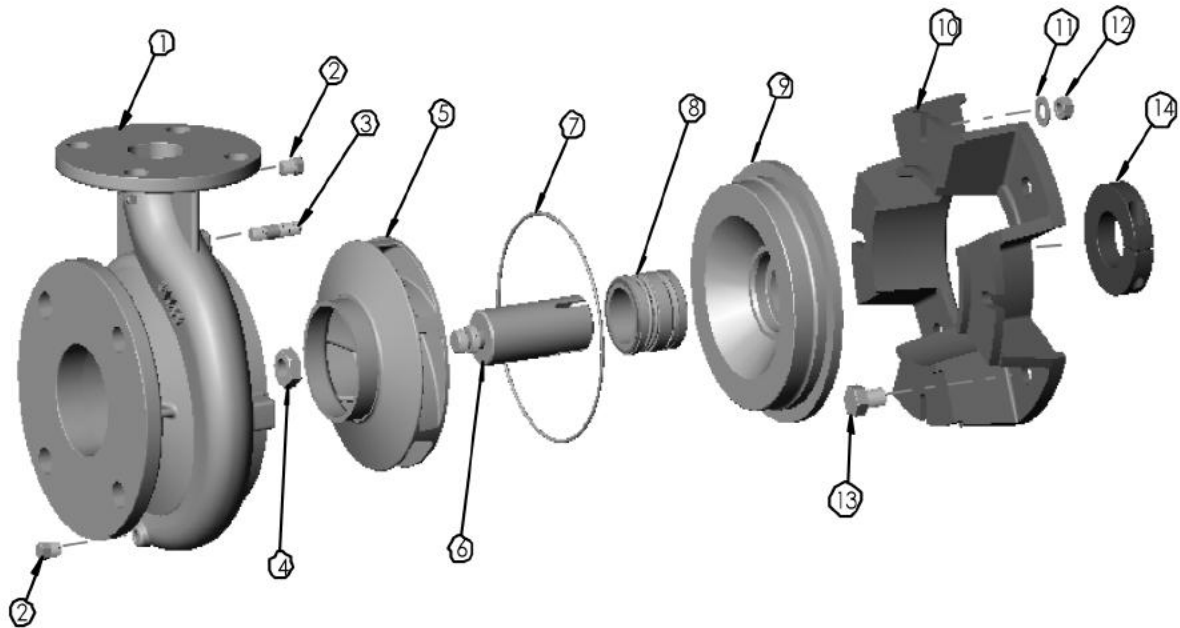
34800 BENNETT • FRASER, MI 48026-1686
 (586) 293-8240 • FAX (586) 293-8469
 (800) 563-8006 • www.mppumps.com



ITEM NO.	PART NO.	DESCRIPTION	QTY.
1	31469	VOLUTE S.S.	1
2	21255	PIPE PLUG S.S.- 1/8" NPT	2
3	21261	STUD S.S.- 3/8-16 X 1 5/8"	4
4	29194	HEX JAM NUT S.S.- 5/8-18	1
5	31467	IMPELLER S.S.- 6.18" DIA.	1
6	31233	O-RING- VITON	1
7	31374	MECH. SEAL- 1.5" T-2100	1
8	31093	SEAL HOUSING S.S.	1
9	31656	BEARING HOUSING	1
10	28053	WASHER S.S.- 3/8	4
11	21268	HEX NUT S.S.- 3/8-16	4
12	31804	BALL BEARING	2
13	31802	DRIVE SHAFT S.S.	1
14	31803	SNAP RING	1
15	26796	SQUARE KEY- .25"	1

*. RECOMMENDED REPLACEMENT PARTS

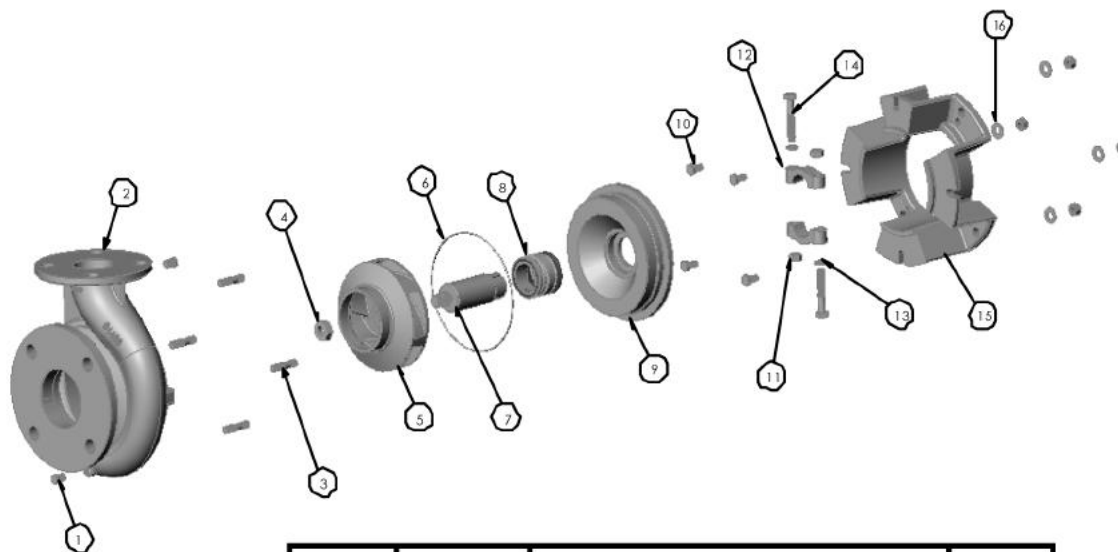




ITEM NO.	PART NO.	DESCRIPTION	QTY.
1	31469	VOLUTE S.S.	1
2	21255	PIPE PLUG S.S.- 1/8" NPT	2
3	21261	STUD S.S.- 3/8-16 X 1 5/8"	4
* 4	29194	HEX JAM NUT S.S.- 5/8-18	1
* 5	31467	IMPELLER S.S.- 6.18" DIA.	1
* 6	31311	DRIVE SLEEVE S.S.	1
* 7	31233	O-RING- VITON	1
* 8	31374	MECH. SEAL- 1.5" T-2100	1
9	31093	SEAL HOUSING S.S.	1
10	31091	MOTOR ADAPTER- 184TC/215TC	1
11	28053	WASHER S.S.- 3/8"	4
12	21268	HEX NUT S.S.- 3/8-16	4
13	31235	CAP SCREW S.S.- 1/2-13	4
14	31312	CLAMP- 1.5"	1

*- RECOMMENDED REPLACEMENT PARTS

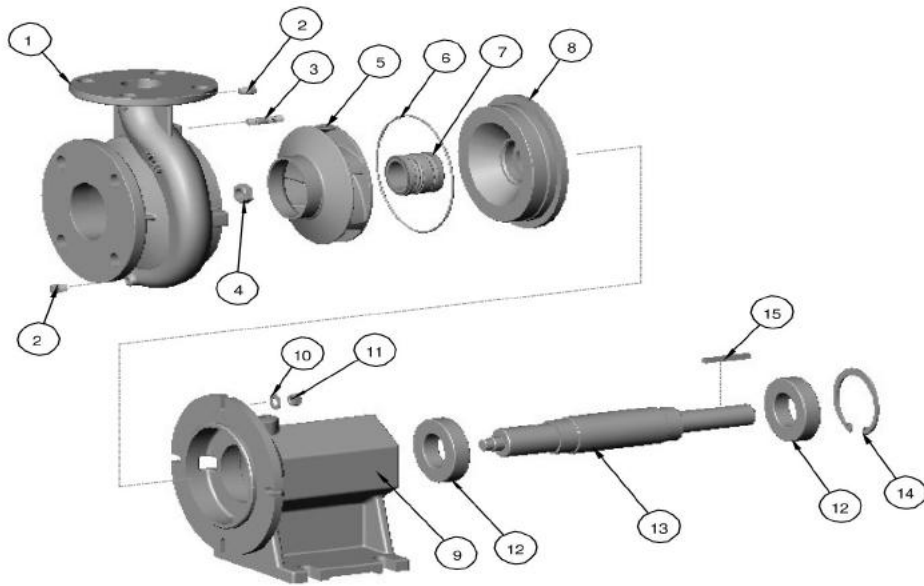




ITEM NO.	PART NO.	DESCRIPTION	QTY.
1	21255	PIPE PLUG S.S. - 1/8 N.P.T.	2
2	31469	HOUSING S.S. - CHEMFLO 6	1
3	21261	STUD S.S.- 3/8-16 X 1 5/8"	4
* 4	29194	HEX JAM NUT S.S.- 5/8-18	1
* 5	31751	IMPELLER S.S.- 5.60" DIA.	1
* 6	31233	O-RING - VITON	1
* 7	31831	DRIVE SLEEVE - 1.0" I.D.	1
* 8	31374	MECH. SEAL- 1.5" T-2100	1
9	31093	SEAL HOUSING S.S.	1
10	31367	CAPSCREW S.S. - M8 X 1.25	4
11	21268	HEX NUT S.S.- 3/8-16	6
12	22356	CLAMP S.S. - 1.0"	2
13	21266	LOCK WASHER S.S. - 3/8"	2
14	21269	CAPSCREW S.S. - 3/8-16 X 2.25	2
15	34189	ENGINE ADAPTOR	1
16	28053	WASHER S.S.	4

*- RECOMMENDED REPLACEMENT PARTS

CHEMFLO 5 & 6 Pedestal Pump



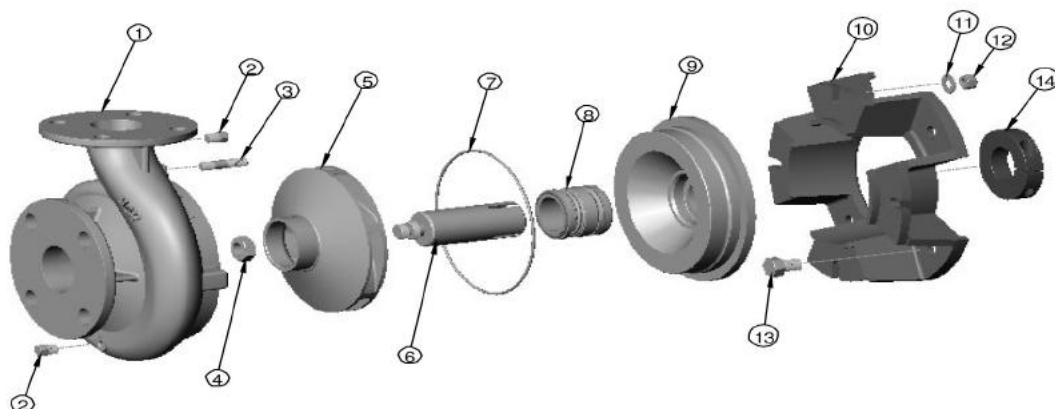
ITEM NO.	PART NO.	DESCRIPTION	QTY.
1	31098	VOLUTE S.S. CHEM 5 2 x 1.5	1
	31469	VOLUTE S.S. CHEM 6 3 x 2	1
2	21255	PIPE PLUG S.S.- 1/8" NPT	2
3	33161	STUD S.S.- 3/8-16 X 2	4
* 4	29194	HEX JAM NUT S.S.- 5/8-18	1
5	31096	IMPELLER S.S.- 6.18" CF5	1
	31467	IMPELLER S.S.- 6.18" CF6	1
* 6	31233	O-RING- VITON	1
* 7	31374	MECH. SEAL- 1.5" T-2100	1
8	31093	SEAL HOUSING S.S.	1
9	31656	BEARING HOUSING	1
10	28053	WASHER S.S.- 3/8	4
11	21268	HEX NUT S.S.- 3/8-16	4
* 12	31804	BALL BEARING	2
13	31802	DRIVE SHAFT S.S.	1
14	31803	SNAP RING	1
15	33232	SQUARE KEY- .25"	1

7089-A



CHEMFLO 5 & 6

Pumpak



ITEM NO.	PART NO.	DESCRIPTION	QTY.
1	31098	VOLUTE S.S. CHEM5 2 x 1.5	1
	31469	VOLUTE S.S. CHEM6 3 x 2	1
2	21255	PIPE PLUG S.S.- 1/8" NPT	2
3	33161	STUD S.S.- 3/8-16 X 2"	4
4	29194	HEX JAM NUT S.S.- 5/8-18	1
5	31096	IMPELLER S.S.- 6.18" CHEM 5	1
	31467	IMPELLER S.S.- 6.18" CHEM 6	1
6	31806	DRIVE SLEEVE S.S. 145TC	1
	31094	DRIVE SLEEVE S.S. 184TC	1
	31311	DRIVE SLEEVE S.S. 215TC	1
7	31233	O-RING- VITON	1
8	31374	MECH. SEAL- 1.5" T-2100	1
9	31093	SEAL HOUSING S.S. CHEM 5 & 6	1
10	31711	MOTOR ADAPTER- 145TC	1
	31091	MOTOR ADAPTER- 184T/215TC	1
11	28053	WASHER S.S.- 3/8"	4
12	21268	HEX NUT S.S.- 3/8-16	4
13	31235	CAP SCREW S.S.- 1/2-13	4
14	23039	CLAMP ASSY 1" 145TC	1
	31099	CLAMP - 1.38" 184TC	1
	31312	CLAMP- 1.5" 215TC	1

7090-A

