



# JRS JRS5, JRS5H, JRS7 and JRS10

SHALLOW WELL JET PUMPS - 1/2, 3/4 AND 1 HP (60 HZ)

### FEATURES

**Compact:** Design has an integral shallow well jet built into the casing, which eliminates the need for a separate shallow well adapter.

**Serviceable:**

- Back pullout design allows disassembly of pump for service without disturbing piping.
- Two compartment motor for easy access to motor wiring and replaceable components.
- Nozzle clean out plug in pump case.
- Corrosion resistant, engineered plastic tubing and fittings are easily removed for cleaning. Premium O-ring design fittings need only be hand tight to seal.
- O-ring casing seal

**Drain Plug:** For ease of winterizing and maintenance.

**Seal Housing:** Engineered composite. Corrosion and abrasion resistant.

**Impeller:** F.D.A. compliant, glass filled Noryl®. Corrosion and abrasion resistant.

**Diffuser (Guidevane):** F.D.A. compliant, injection molded, food grade, glass filled Lexan® for durability and abrasion resistance.

**Tubing and Fittings:** F.D.A. compliant engineered plastic is corrosion and U.V. resistant.

**Powered for Continuous Operation:** Pump ratings are within the motor manufacturer's recommended working limits. Can be operated continuously without damage.

**Corrosion Resistant:** Electro-coat paint process is applied inside and out, then baked on.

**Excellent Air Handling Ability:** After initial priming the pump has the ability to reprime itself even when air gets into the system. Pumping resumes once the water level rises above the foot valve.

### APPLICATIONS

Specifically designed for the following uses:

- Homes
- Cottages
- Booster service

### SPECIFICATIONS

**Pump:**

- Pipe connections: 1 ¼" suction and 1" discharge
- Pressure switch: AS4 preset (30-50 PSI).

**Motor:**

- NEMA service factors
- 60 Hz
- ½ - 1 HP, 115/230 V capacitor start
- Single phase
- 3500 RPM
- Built-in overload with automatic reset
- Stainless steel shaft
- Rotation: clockwise when viewed from motor end

**Maximum temperature:** 140°F.

### SYSTEM COMPONENTS

- **Basic Pump Unit:** Includes pump with integral shallow well jet (nozzle and venturi), motor, pressure switch and tubing.

### AGENCY LISTINGS



Canadian Standards Association  
LR38549

### PERFORMANCE RATINGS - SHALLOW WELL

HP/Order No.	½ HP - JRS5					¾ HP - JRS7				1 HP - JRS10				
Nozzle	AN018					AN018				AN018				
Venturi	AD3330					AD3336				AD3339				
Total Suction Lift (feet)	Discharge Pressure - PSI					Discharge Pressure - PSI				Discharge Pressure - PSI				
	20	30	40	50	Max. Shut-off (PSI)	30	40	50	Max. Shut-off (PSI)	30	40	50	60	Max. Shut-off (PSI)
	Gallons per minute					Gallons per minute				Gallons per minute				
5	14.1	13.3	10.5	5.8	64	22.5	17.9	12.4	69	27.0	22.4	15.7	9.6	72
10	12.4	12.0	9.2	4.2	59	20.3	16.3	11.5	65	24.5	20.5	14.8	7.5	69
15	10.5	10.0	8.0	2.4	56	17.8	15.3	9.0	63	21.2	19.2	12.6	5.1	66
20	8.6	8.5	6.6	1.2	53	14.8	13.6	7.3	61	17.6	16.8	11.1	3.3	63
25	6.7	6.5	5.0	0.6	51	11.5	10.8	5.2	58	13.4	13.0	8.7	-	61

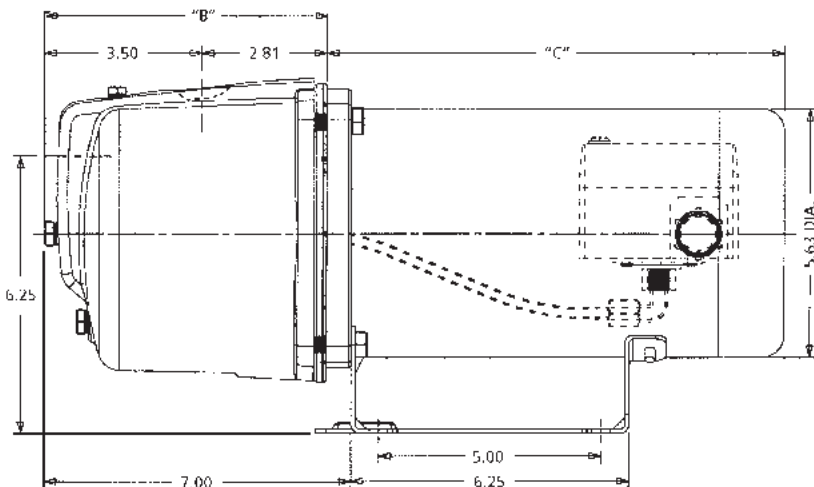
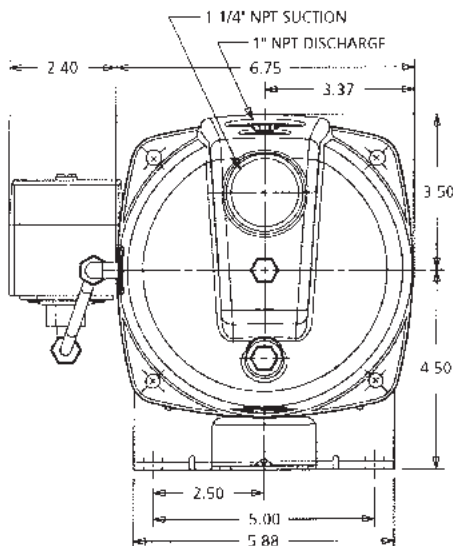
### PERFORMANCE RATINGS - SHALLOW WELL, HIGH PRESSURE

HP/Order No.	½ HP - JRS5H							
Nozzle	AN020							
Venturi	AD3325							
Total Suction Lift (feet)	Discharge Pressure - PSI							
	20	30	40	50	60	70	80	Max. Shut-off (PSI)
	Gallons per minute							
5	6.7	6.4	6.2	5.8	4.2	2.5	0.8	84
10	5.8	5.6	5.3	5.1	3.7	2.0	NA	82
15	4.8	4.7	4.6	4.5	3.3	1.5	NA	79
20	4.0	3.8	3.7	3.6	3.1	1.3	NA	75
25	3.0	2.9	2.9	2.8	2.3	0.8	NA	74

### DIMENSIONS AND WEIGHTS

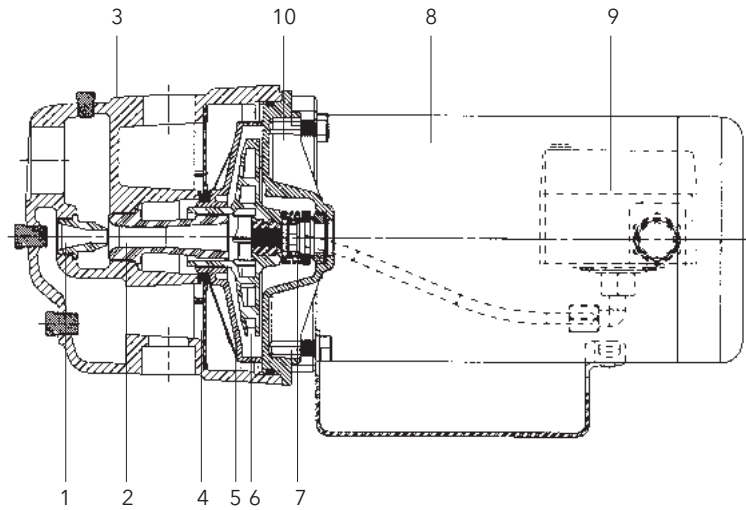
Order No.	HP	(Inches)				Wt. (lbs.)
		"C" Max.	"B" Max.	Width	Height	
JRS5(H)	½	10.81	6.31	9.15	8.0	37
JRS7	¾	11.56				42
JRS10	1	11.81				47

Do not use for construction purposes.



## COMPONENTS

Item No.	Description
1	Nozzle
2	Venturi
3	Cast Iron Casing
4	Separator plate
5	Diffuser (Guidevane)
6	Impeller
7	Mechanical seal
8	Motor
9	Pressure switch
10	Seal housing



**xylem**  
Let's Solve Water

Xylem, Inc.  
2881 East Bayard Street Ext., Suite A  
Seneca Falls, NY 13148  
Phone: (866) 325-4210  
Fax: (888) 322-5877  
[www.xylem.com/brands/gouldswatertechnology](http://www.xylem.com/brands/gouldswatertechnology)

Goulds is a registered trademark of Goulds Pumps, Inc. and is used under license.  
Noryl and Lexan are trademarks of GE Plastic.  
© 2012 Xylem Inc. BJRS March 2012