



SBX

1-1/8" x 1-1/8" Hose Centrifugal Transportation

The SBX is designed for directional booster applications of water or coolant. Cost effective design with splash / weather proof 12 or 24V DC motor.



SPECIFICATIONS:

- Materials of Construction Aluminum
- Flow Up to 18 GPM
- Head Feet Up to 15'
- Impeller 2.5" semi-open nickel steel
- Drive Options 12 & 24V DC brushed electric motor
- Seal Carbon / silicon carbide or silicon carbide / silicon carbide or carbon / ceramic

Application:

- Agricultural
- Commercial
- Industrial
- Marine
- OEM
- Transportation

Base:

- Stamped steel with (4) vibration isolating grommets

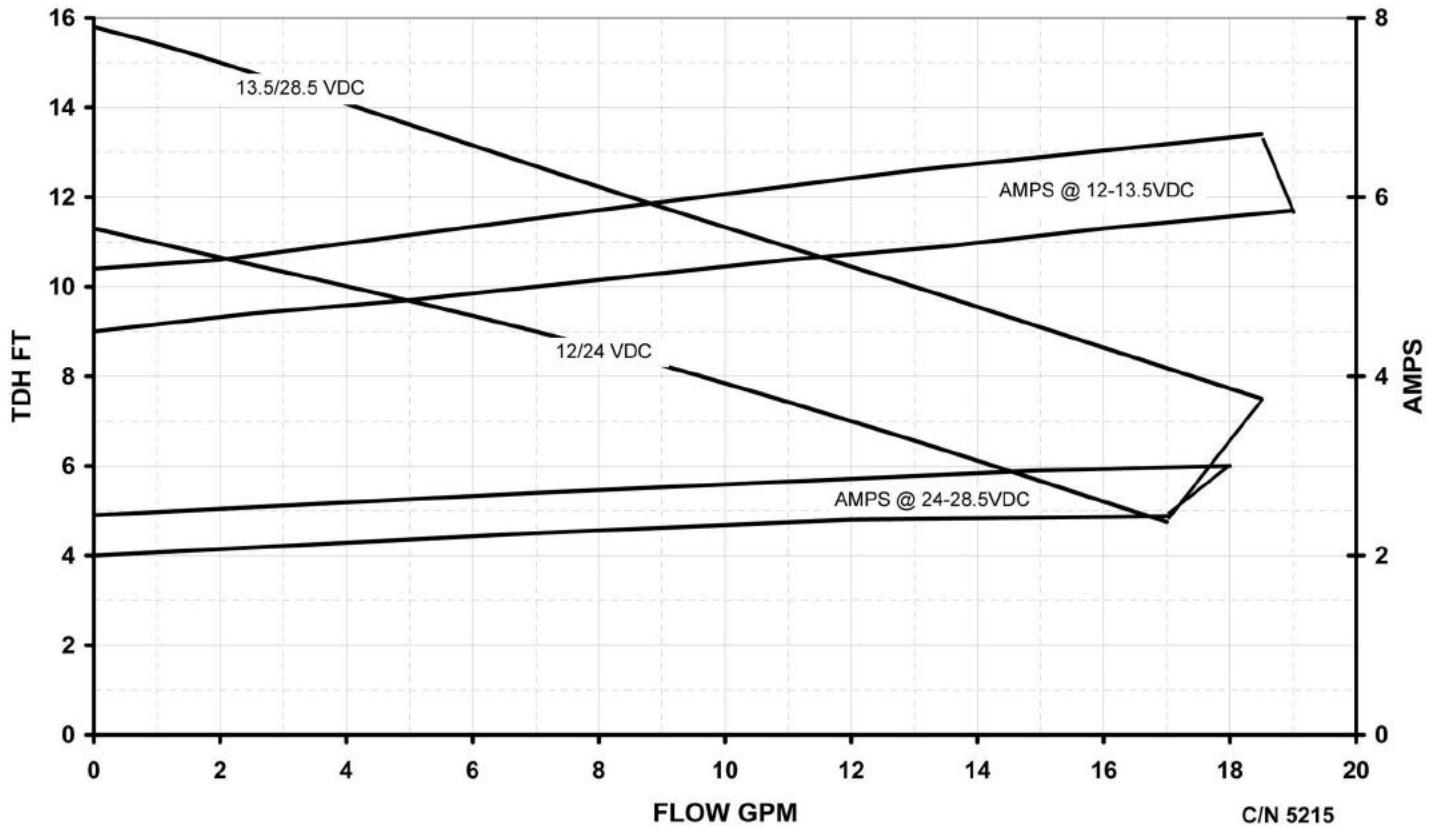
Features:

- Convenient directional volute port configuration
- Dual 18" long 14 AWG red (positive) black (negative) power leads
- Splash and weather resistant motor enclosure

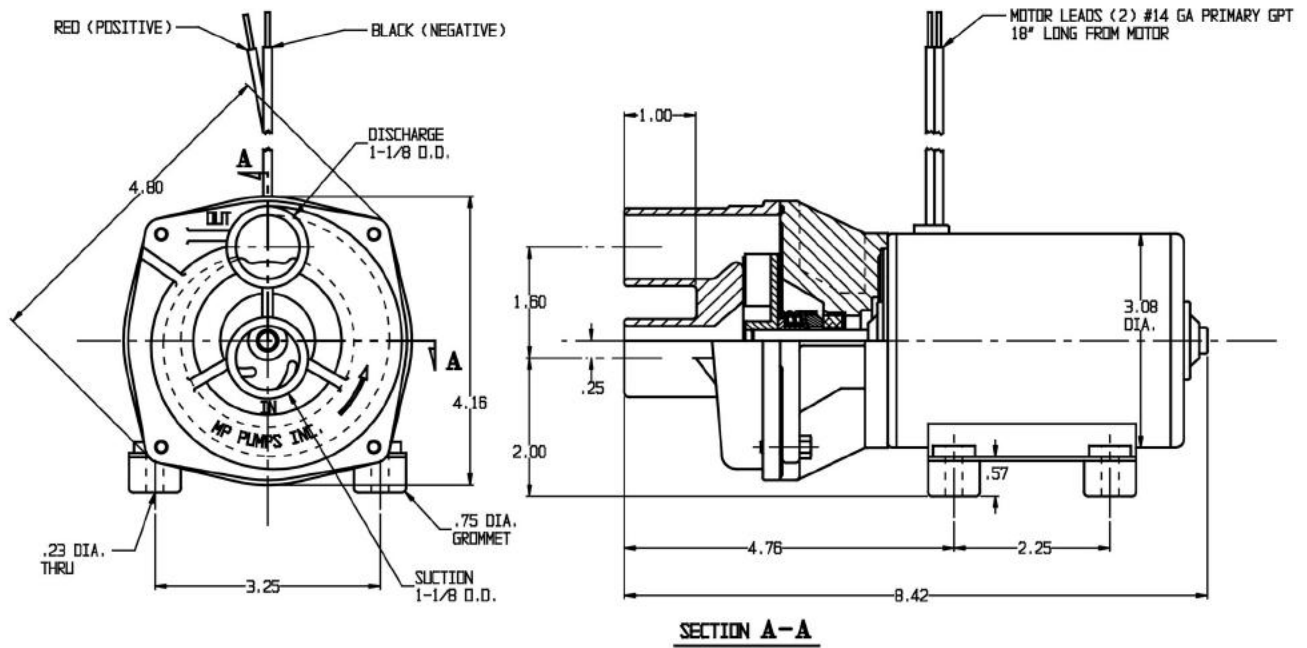
Temperature:

- Operation in ambient temperatures up to 200°F
- Use with fluids to 220°F and sustained fluid temps up to 210°F

SBX
1.125 HOSE



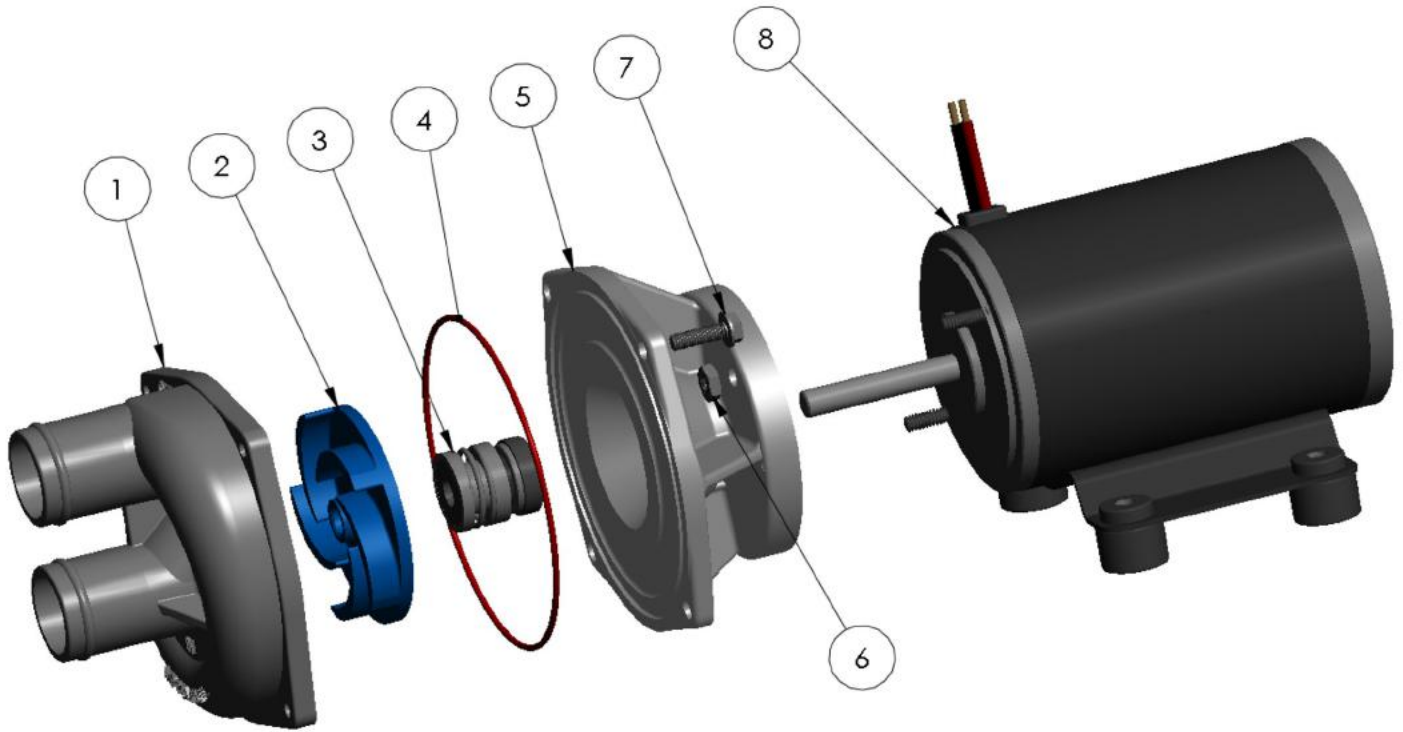
28987



P				G						UNLESS OTHERWISE NOTED DIMENSIONS ARE IN INCHES 2 PLACE DEC. & TOL. 3 PLACE DEC. & TOL. ANGLES DEC. & TOL. DD NOT SCALE	MP PUMPS, INC. TECLUMSEH PRODUCTS CO. FRASER, MICHIGAN 48026, U.S.A.				
N				F							MATERIAL:				
N				E							DR.	DATE	BY	SCALE	DATE FOR
L				D											
E				C											
J				B											
N				A											
											NAME: CIRCULATOR PUMP 12VDC		DRAWING NO: 28987		



34800 BENNETT • FRASER, MI 48026-1686
 (586) 293-8240 • FAX (586) 293-8469
 (800) 563-8006 • www.mppumps.com



ITEM NO.	PART NO.	DESCRIPTION	QTY.
1	33851	VOLUTE	1
2	21587	IMPELLER 2.50 DIA.	1
*	28984	SEAL ASSY. 7/8" TYPE 16	1
*	28613	O RING - VITON	1
5	28733	ADAPTER	1
6	21543	HEX NUT 10-32	2
7	28834	HEX CAPSCREW 10-32 X 5/8 S. TAP	4
8	28985	EL. MOTOR 12 VDC	1

*- RECOMMENDED REPLACEMENT PARTS