

NPE

316L STAINLESS STEEL END SUCTION CENTRIFUGAL PUMPS

BRNPE

 **GOULDS**
WATER TECHNOLOGY
a xylem brand



A FULL RANGE OF PRODUCT FEATURES

- The close coupled compact, flexible design saves space, can be mounted horizontally or vertically, and simplifies maintenance.
- Standard NEMA motors are open drip-proof, totally enclosed fan-cooled or explosion proof enclosure, have stainless steel shaft, and are designed for continuous duty under all conditions with single and three phase available.
- Superior, complete AISI 316L stainless steel liquid handling components for corrosion resistance and improved strength and durability.
- Casing and adapter have NPT threaded centerline connections, easily accessible vent, prime and drain connections with stainless plugs.
- Unique floating O-ring enclosed impeller design maintains maximum efficiencies.
- Standard John Crane mechanical seal of silicon carbide, viton and stainless metal parts with optional high temperature and chemical duty seals available.

TYPICAL APPLICATIONS

Specifically designed for a broad range of general applications traditionally requiring various materials such as all iron, bronze fitted, all bronze or stainless construction.

- Water circulation • Booster service • Liquid transfer • Spray system • Chillers
- Washing/cleaning systems • Injection molding cooling • Reverse osmosis
- Air scrubbers • Heat exchangers • Filtration systems • Jockey pumps
- OEM applications • General water services

SPECIFICATIONS

Capacities to:

- 75 GPM (283L/min) at 1750 RPM
- 150 GPM (550L/min) at 3500 RPM

Working pressures to:

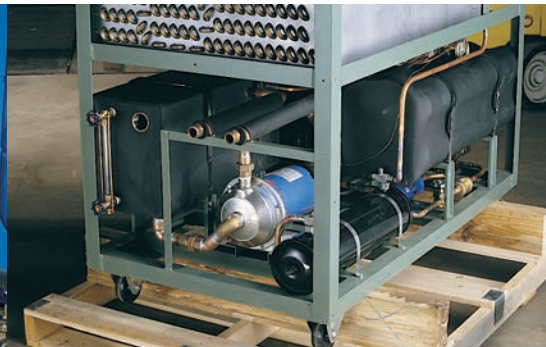
- 125 PSIG (9 bars)

Heads to:

- 39 feet (11 m) at 1750 RPM
- 150 feet (50 m) at 3500 RPM

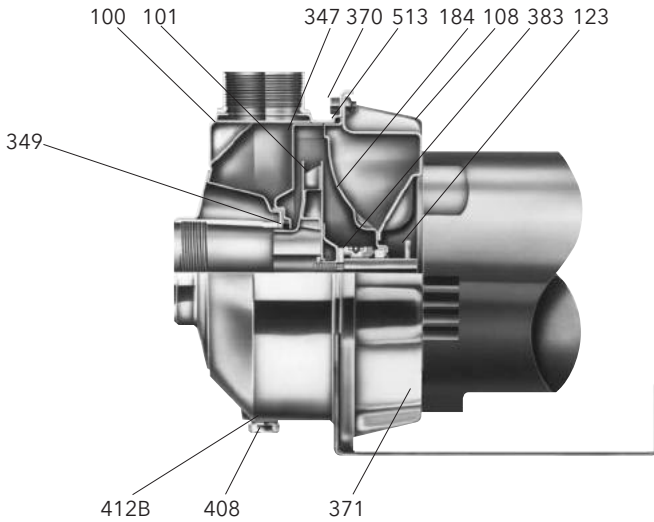
Maximum temperatures to:

- 212°F (100°C) with standard seal or
- 250°F (121 °C) with optional high temperature seal

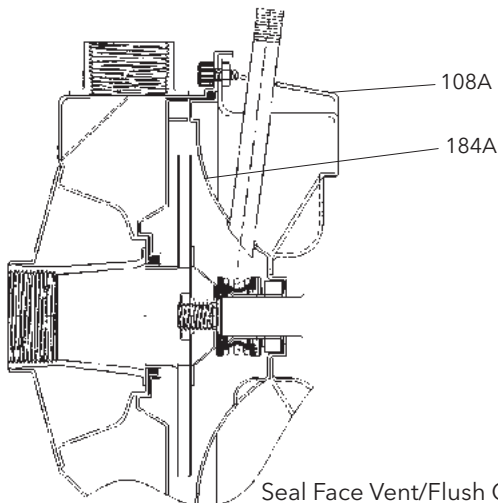
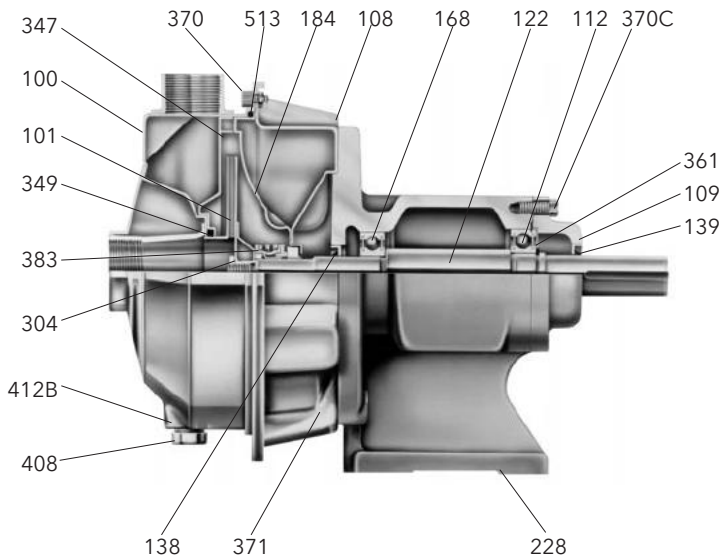


MATERIALS OF CONSTRUCTION

NPE Close-Coupled Major Components



NPE Frame-Mounted Major Components



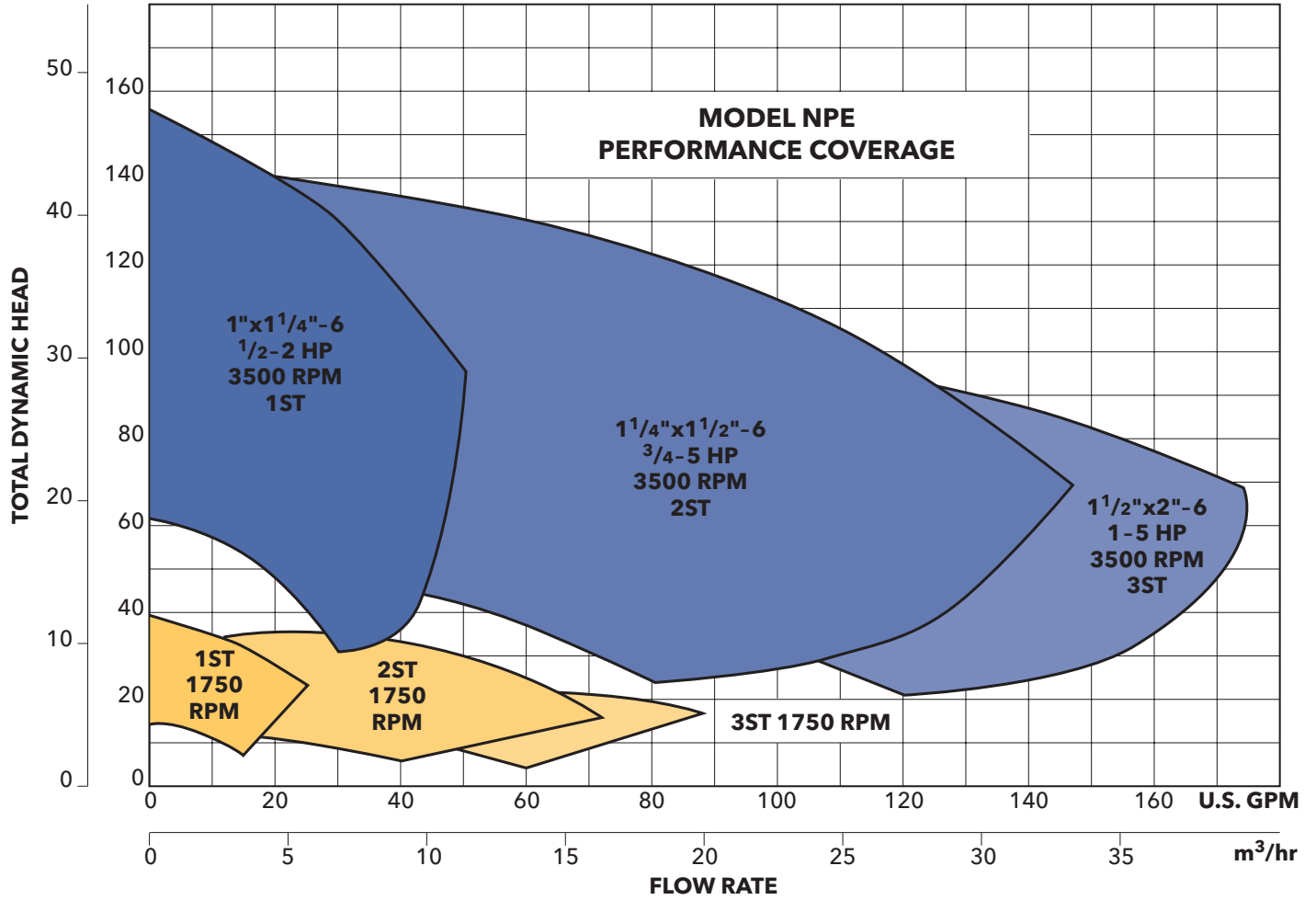
Seal Face Vent/Flush Option

| Item No. | Description | Materials |
|----------|-------------------------------|--|
| 100 | Casing | AISI 316 SS |
| 101 | Impeller | AISI 316 SS |
| 108 | Motor adapter | AISI 304 SS |
| 108A | Motor adapter seal vent/flush | AISI 304 SS |
| 109 | Bearing cover | Cast iron |
| 112 | Ball bearing (outboard) | Steel |
| 122 | Shaft | AISI 316 SS |
| 123 | Deflector | BUNA-N |
| 138 | Lip-seal (inboard) | BUNA/steel |
| 139 | Lip-seal (outboard) | BUNA/steel |
| 168 | Ball bearing (inboard) | Steel |
| 184 | Seal housing | AISI 316 SS |
| 184A | Seal housing seal vent/flush | AISI 316 SS |
| 228 | Bearing frame | Cast iron |
| 304 | Impeller locknut | AISI 316 SS |
| 347 | Guidevane | AISI 316 SS |
| 349 | O-ring | Viton |
| 361 | Retaining ring | Steel |
| 370 | Socket head screws, casing | AISI 430 SS |
| 370C | Hex head screw, bearing cover | Plated steel |
| 371 | Bolts, motor | Plated steel |
| 383 | Mechanical seal | Carbon/Sil-Carbide, Viton elastomers, 316 Stainless metal parts* |
| 400 | Shaft key | 316 |
| 408 | Drain and vent plug, casing | AISI 316 SS |
| 412B | O-ring, drain and vent plug | Viton |
| 513 | O-ring, casing | Viton |
| Motor | NEMA standard, 56J flange | |

*Optional high temperature and chemical duty seals available

NPE PERFORMANCE CURVES 60 Hz USA

METERS FEET



Xylem Inc.
 2881 East Bayard Street Ext.
 Seneca Falls, NY 13148
 Phone: (800) 453-6777
 Fax: (888) 322-5877
www.xylem.com/brands/gouldswatertechnology

Goulds is a registered trademark of Goulds Pumps, Inc. and is used under license.
 © 2012 Xylem Inc. BRNPE March 2002