



**FEATURES**

Corrosion resistant construction

Cast iron body

Thermoplastic impeller and cover.

Upper sleeve and lower heavy duty ball bearing construction.

Motor is permanently lubricated for extended service life.

Powered for continuous operation.

All ratings are within the working limits of the motor.

Quick disconnect power cord, 20' standard length, heavy duty 16/3 SJTW with 115 or 230 volt grounding plug.

Complete unit is heavy duty, portable and compact.

Mechanical seal is carbon, ceramic, BUNA and stainless steel.

Stainless steel fasteners

**PE**

**SUBMERSIBLE EFFLUENT PUMP**

### APPLICATIONS

Specially designed for the following uses:

- Mound Systems
- Effluent/Dosing Systems
- Low Pressure Pipe Systems
- Basement Draining
- Heavy Duty Sump/Dewatering

### SPECIFICATIONS

#### Pump – General:

- Discharge: 1½" NPT
- Temperature: 104°F (40°C) maximum, continuous when fully submerged.
- Solids handling: ½" maximum sphere.
- Automatic models include a float switch.
- Manual models available.
- Pumping range: see performance chart or curve.

#### PE31 Pump:

- Maximum capacity: 53 GPM
- Maximum head: 25' TDH

#### PE41 Pump:

- Maximum capacity: 61 GPM
- Maximum head: 29' TDH

#### PE51 Pump:

- Maximum capacity: 70 GPM
- Maximum head: 37' TDH

### MOTOR

#### General:

- Single phase
- 60 Hertz
- 115 and 230 volts
- Built-in thermal overload protection with automatic reset.
- Class B insulation
- Oil-filled design
- High strength carbon steel shaft

#### PE31 Motor:

- .33 HP, 3000 RPM
- 115 volts
- Shaded pole design

#### PE41 Motor:

- .40 HP, 3400 RPM
- 115 and 230 volts
- PSC design

#### PE51 Motor:

- .50 HP, 3400 RPM
- 115 and 230 volts
- PSC design

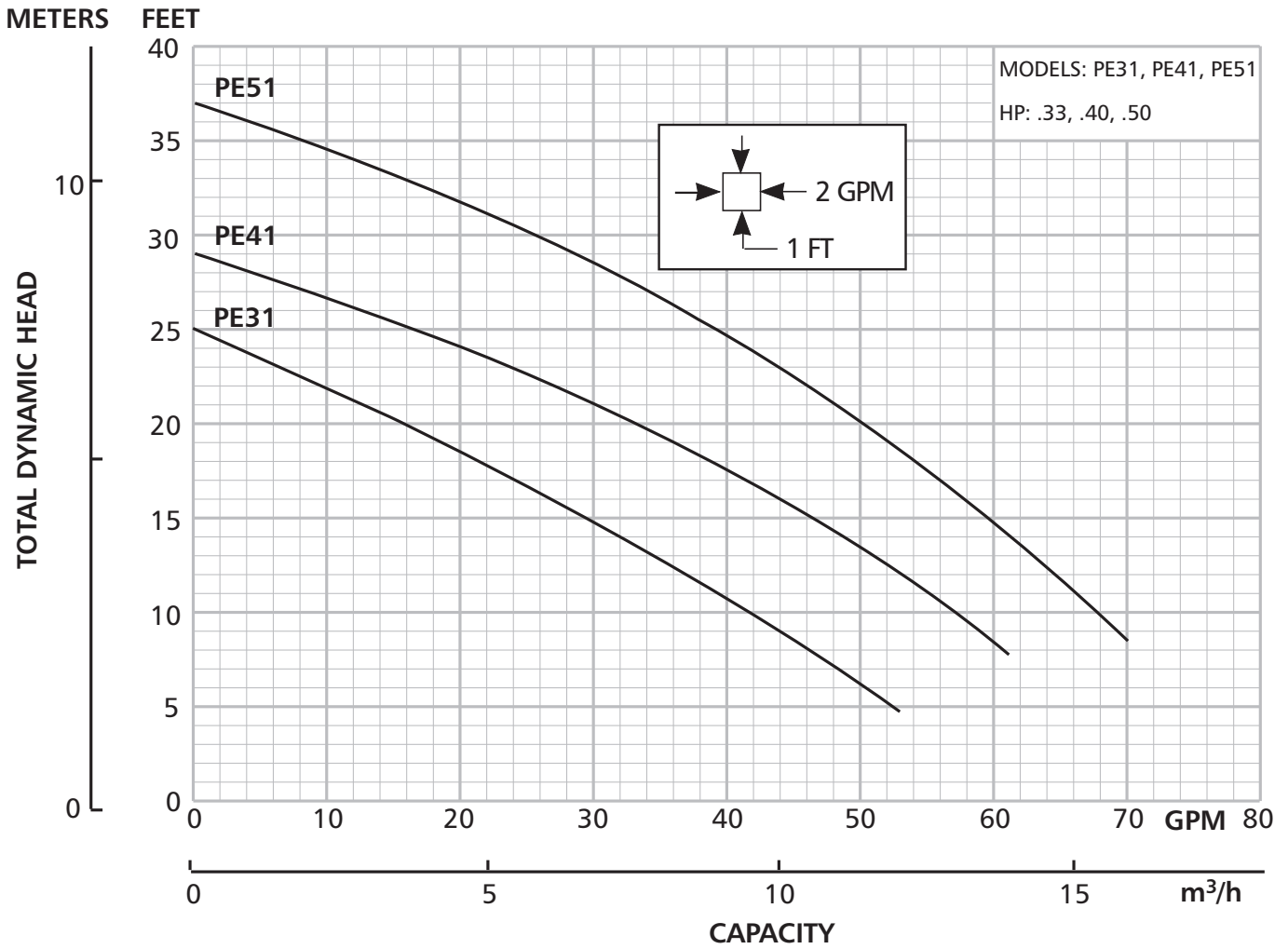
### AGENCY LISTINGS



Tested to UL 778 and CSA 22.2 108 Standards  
By Canadian Standards Association  
File #LR38549

### PUMP INFORMATION

Order No.	HP	Volts	Amps	Minimum Circuit Breaker	Phase	Float Switch Style	Cord Length	Discharge Connection	Minimum Basin Diameter	Maximum Solids Size	Shipping Weight lbs/kg
PE31M	0.33	115	12	20	1	Manual / No Switch	20'	1.5"	18"	.5"	31 / 14.1
PE31P1						Piggyback Float Switch					
PE41M	0.4	230	7.5	15		Manual / No Switch					
PE41P1				Piggyback Float Switch							
PE42M	0.4	230	3.7	10		Manual / No Switch					
PE42P1				Piggyback Float Switch							
PE51M	0.5	115	9.5	20		Manual / No Switch					
PE51P1						Piggyback Float Switch					
PE52M	0.5	230	4.7	10	Manual / No Switch						
PE52P1					Piggyback Float Switch						



### PERFORMANCE RATINGS

#### PE31

Total Head (feet of water)	GPM
5	52
10	42
15	29
20	16
25	0

#### PE41

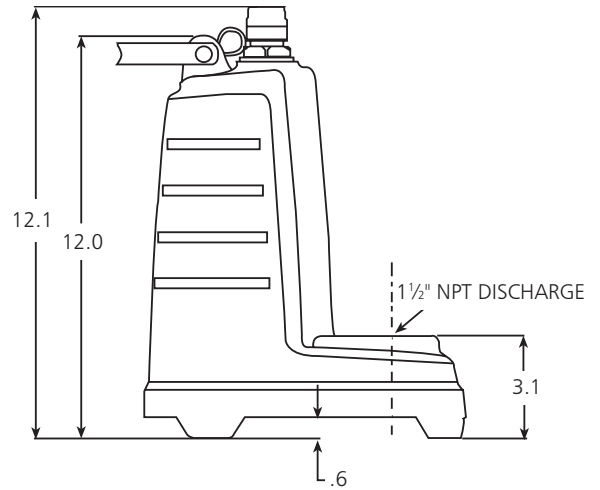
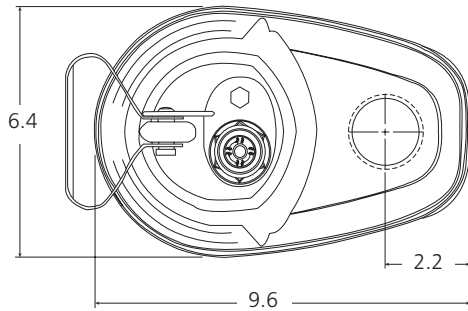
Total Head (feet of water)	GPM
8	61
10	57
15	46
20	33
25	16

#### PE51

Total Head (feet of water)	GPM
10	67
15	59
20	50
25	39
30	26
35	8

## DIMENSIONS

(All dimensions are in inches. Do not use for construction purposes.)



**xylem**  
Let's Solve Water

Xylem, Inc.  
2881 East Bayard Street Ext., Suite A  
Seneca Falls, NY 13148  
Phone: (866) 325-4210  
Fax: (888) 322-5877  
[www.xylem.com/brands/gouldswatertechnology](http://www.xylem.com/brands/gouldswatertechnology)

Goulds is a registered trademark of Goulds Pumps, Inc. and is used under license.  
© 2012 Xylem Inc. BPE February 2012