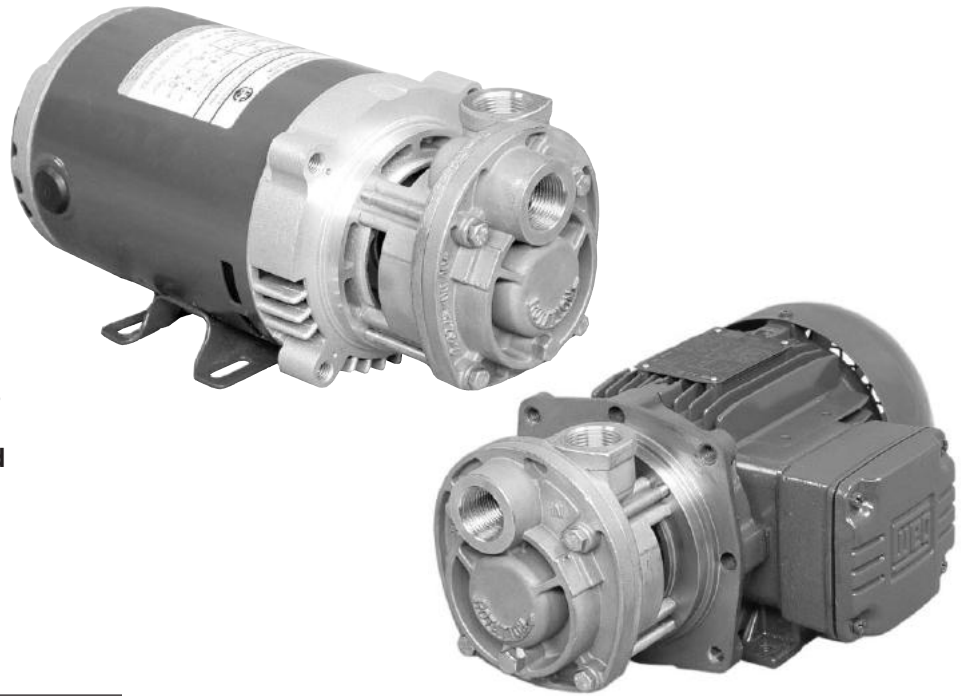


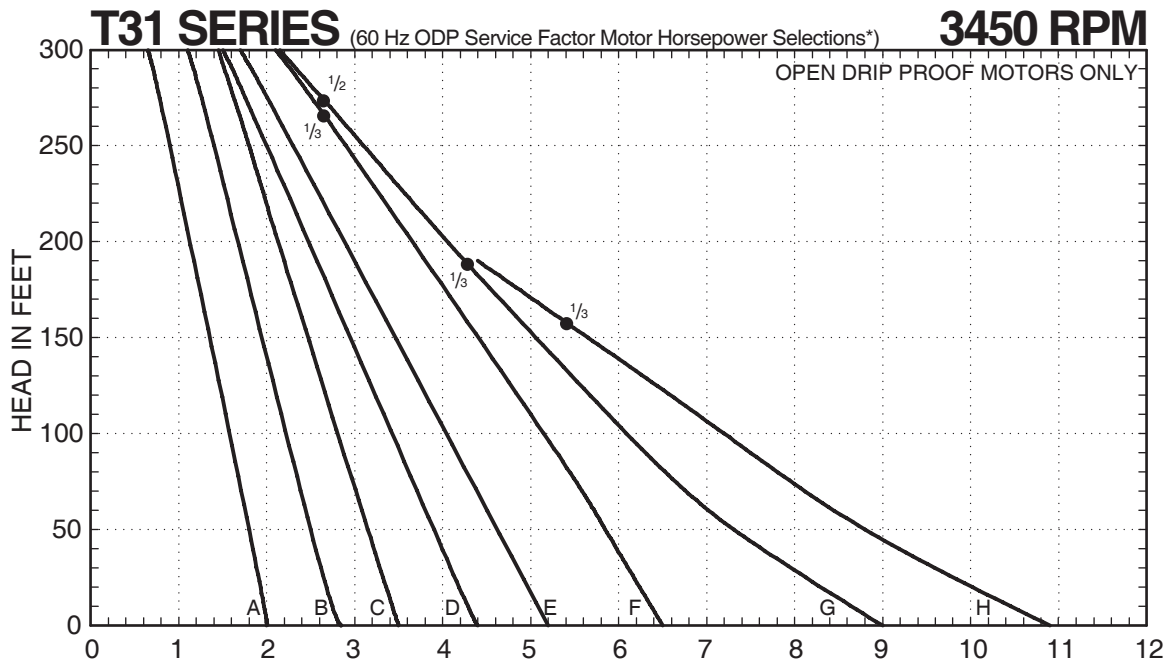
MTH PUMPS T31 Series

- Capacities to 10 GPM
- Heads to 300 Feet
- Low NPSH Requirements
- Horizontal Close Coupled
- Flex Coupled



T31 SERIES

Composite Curves



T31 SERIES PUMPS



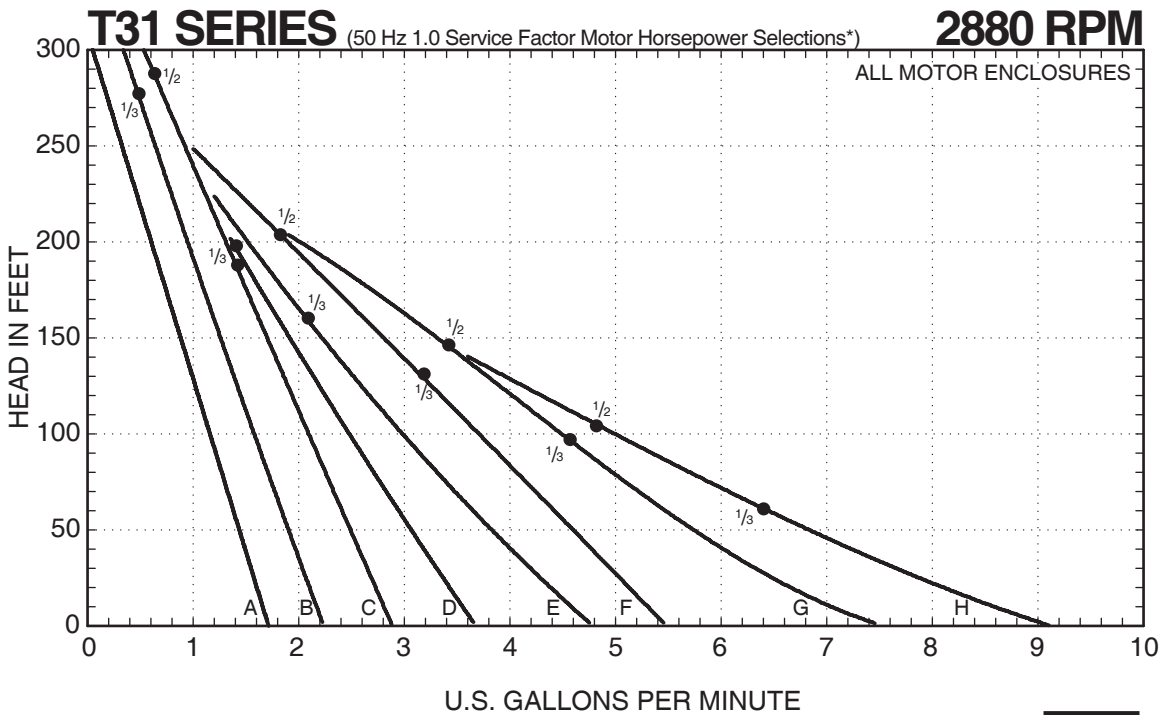
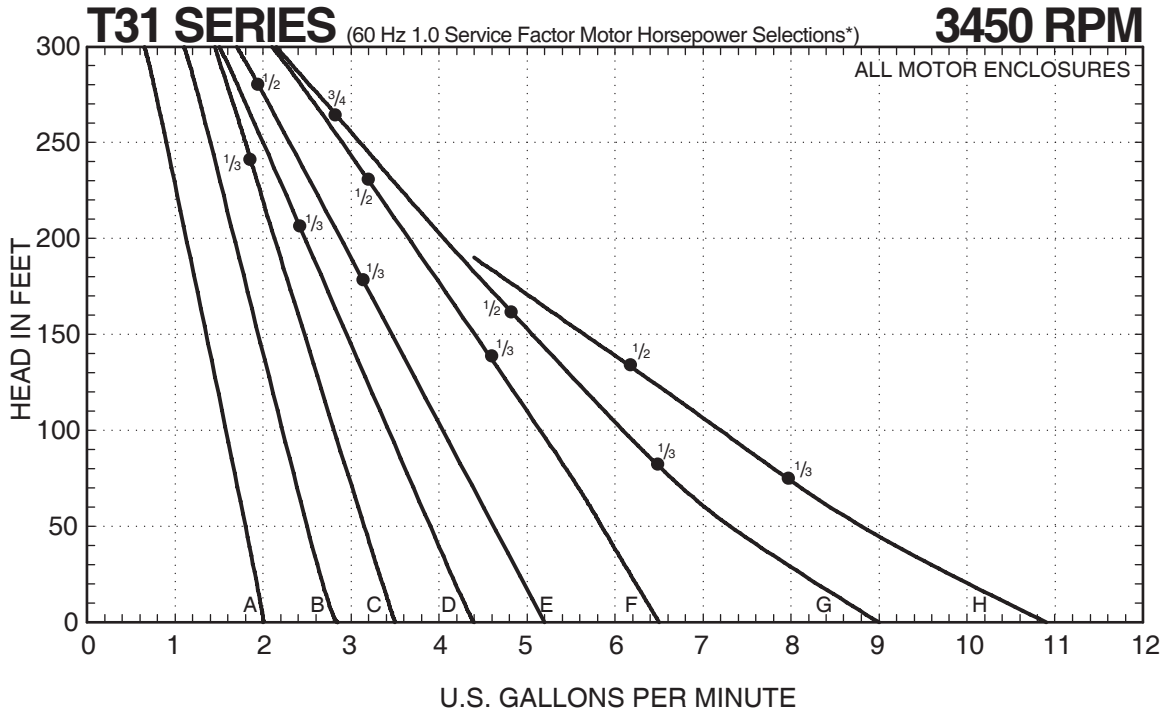
MTH PUMPS

401 West Main Street • Plano, IL 60545-1436
 Phone: 630-552-4115 • Fax: 630-552-3688
 Email: SALES@MTHPUMPS.COM
<http://WWW.MTHPUMPS.COM>

* Horsepower data is valid for 1.0 specific gravity fluids only

T31 SERIES

Composite Curves



T31 SERIES PUMPS

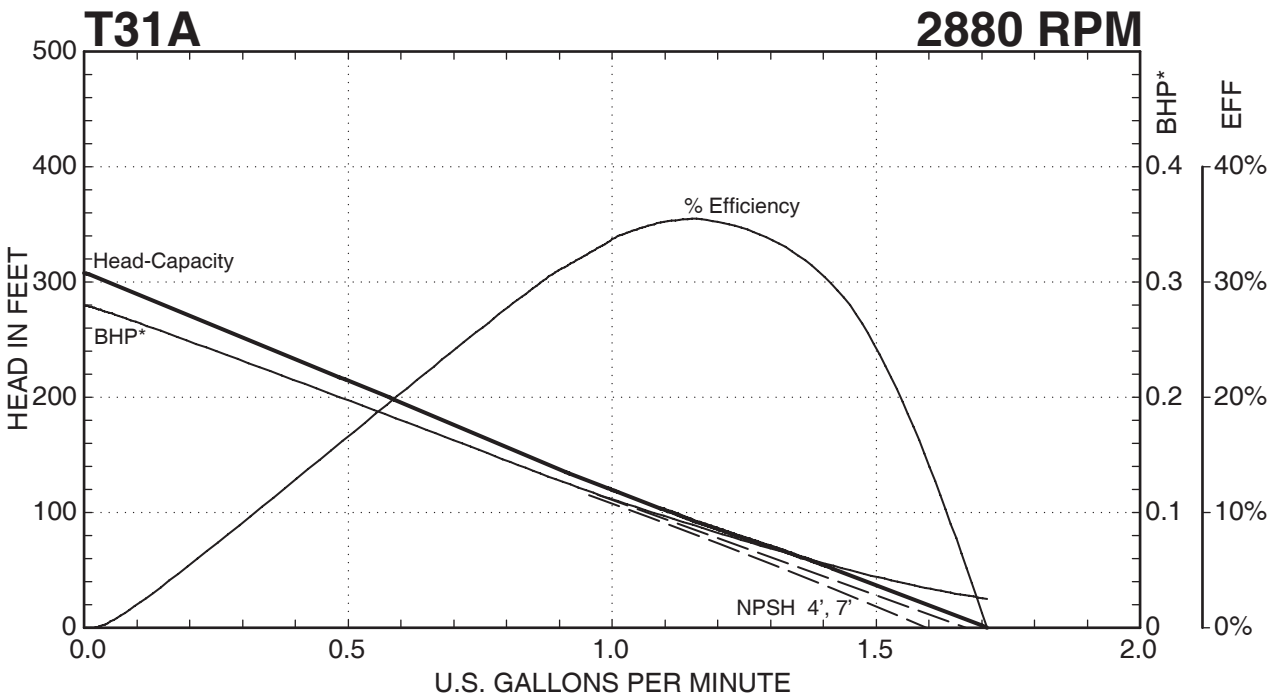
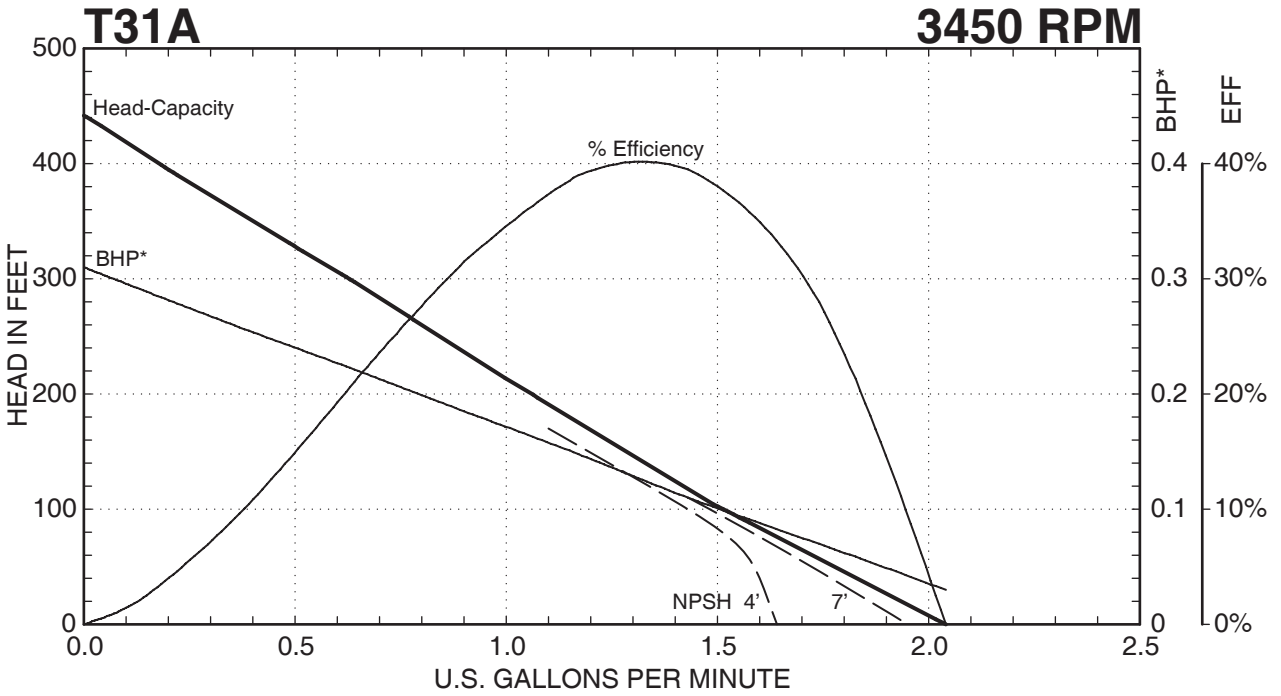


MTH PUMPS

401 West Main Street • Plano, IL 60545-1436
 Phone: 630-552-4115 • Fax: 630-552-3688
 Email: SALES@MTHPUMPS.COM
<http://WWW.MTHPUMPS.COM>

* Horsepower data is valid for 1.0 specific gravity fluids only

T31 SERIES
Performance Curves



T31 SERIES PUMPS



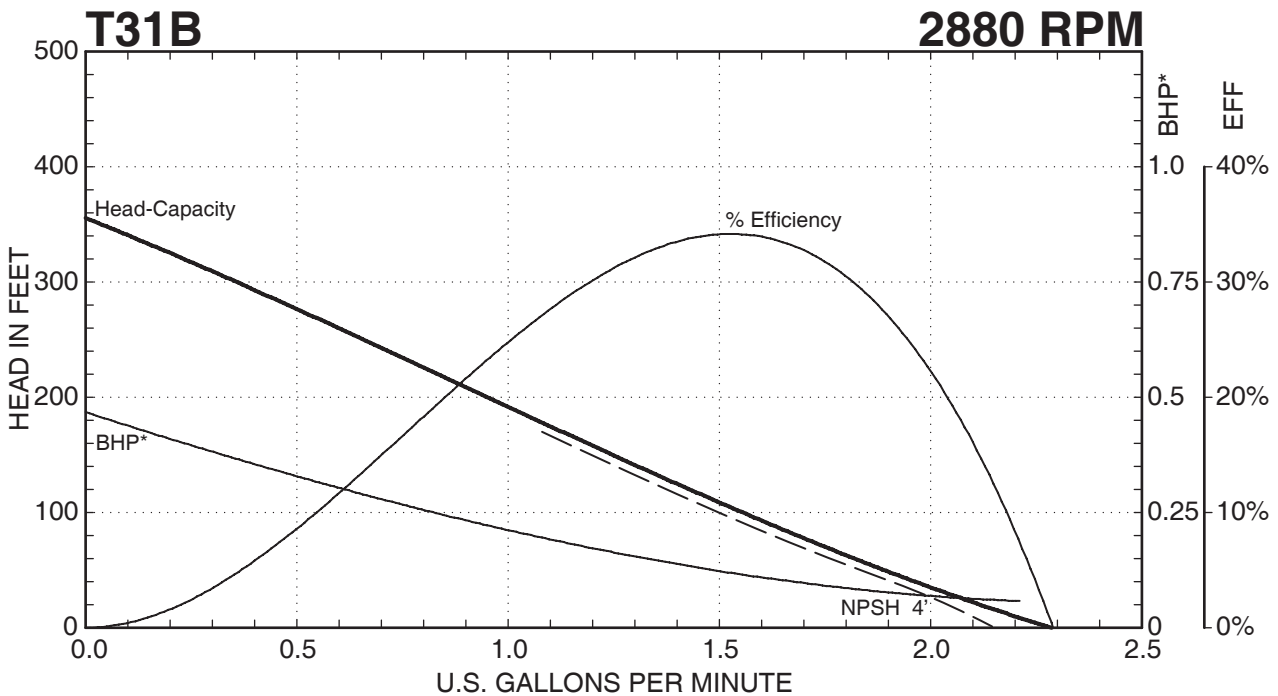
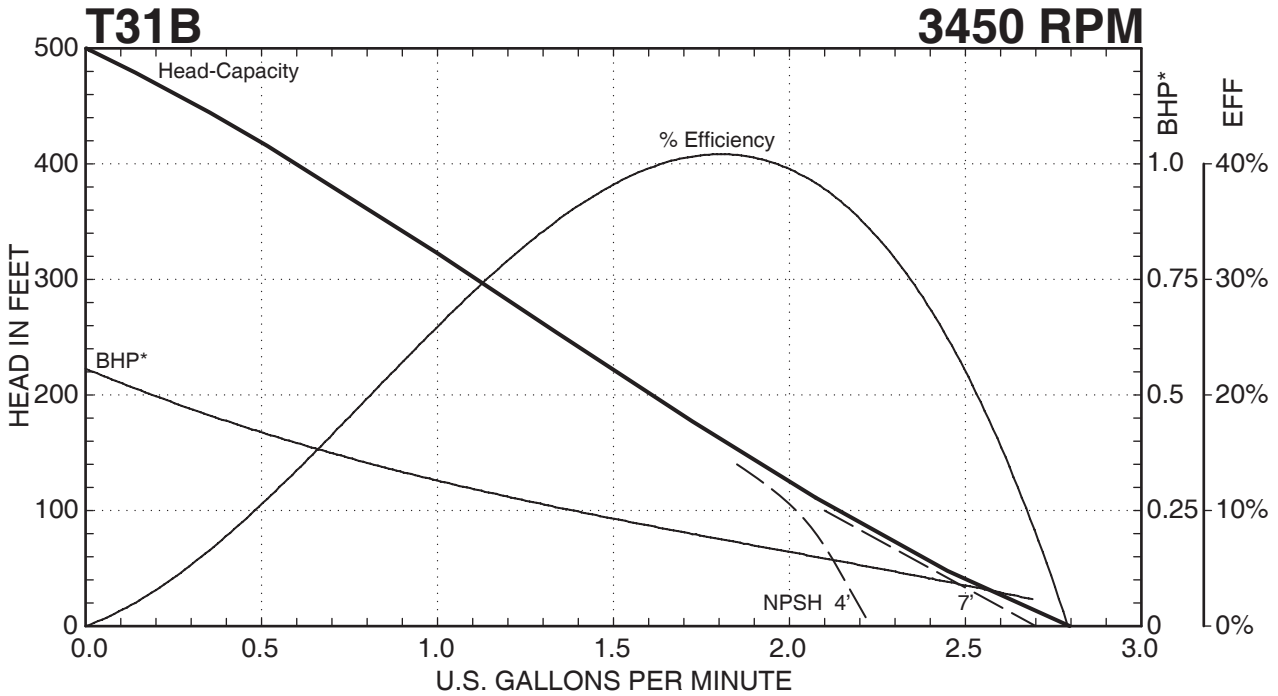
MTH PUMPS

401 West Main Street • Plano, IL 60545-1436
 Phone: 630-552-4115 • Fax: 630-552-3688
 Email: SALES@MTHPUMPS.COM
<http://WWW.MTHPUMPS.COM>

— — — Indicates altered performance at NPSH Available
 * Horsepower data is valid for 1.0 specific gravity fluids only

T31 SERIES

Performance Curves



T31 SERIES PUMPS

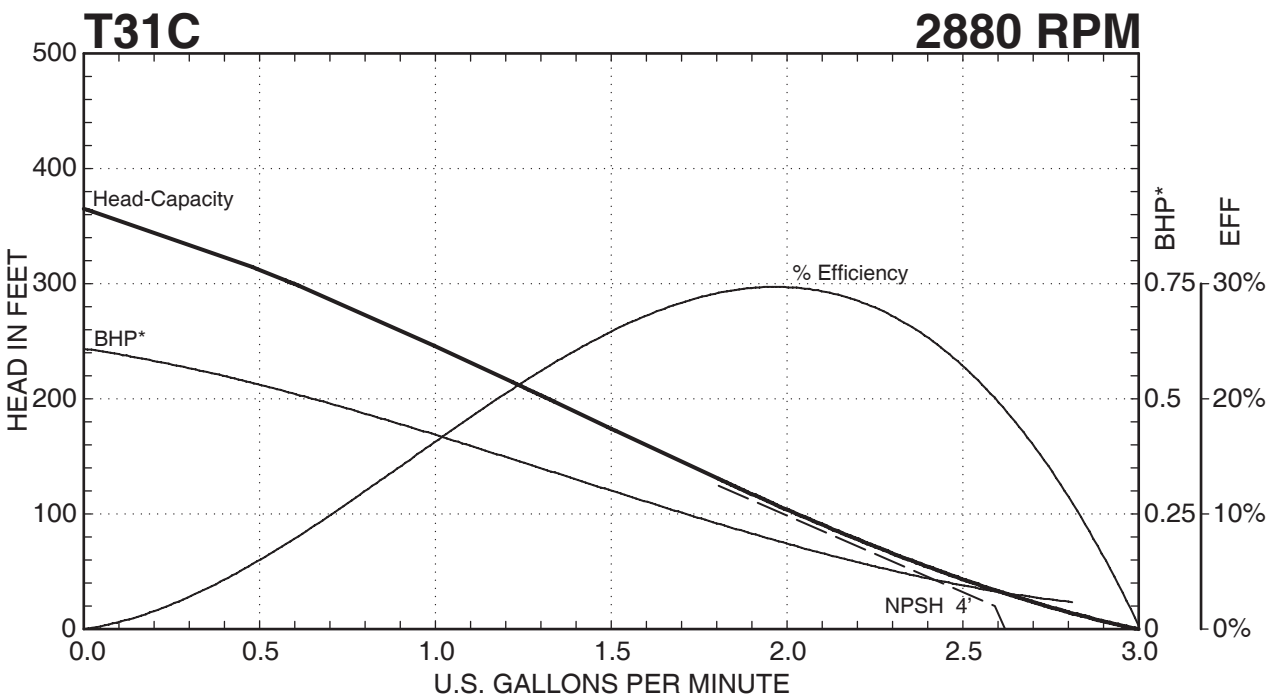
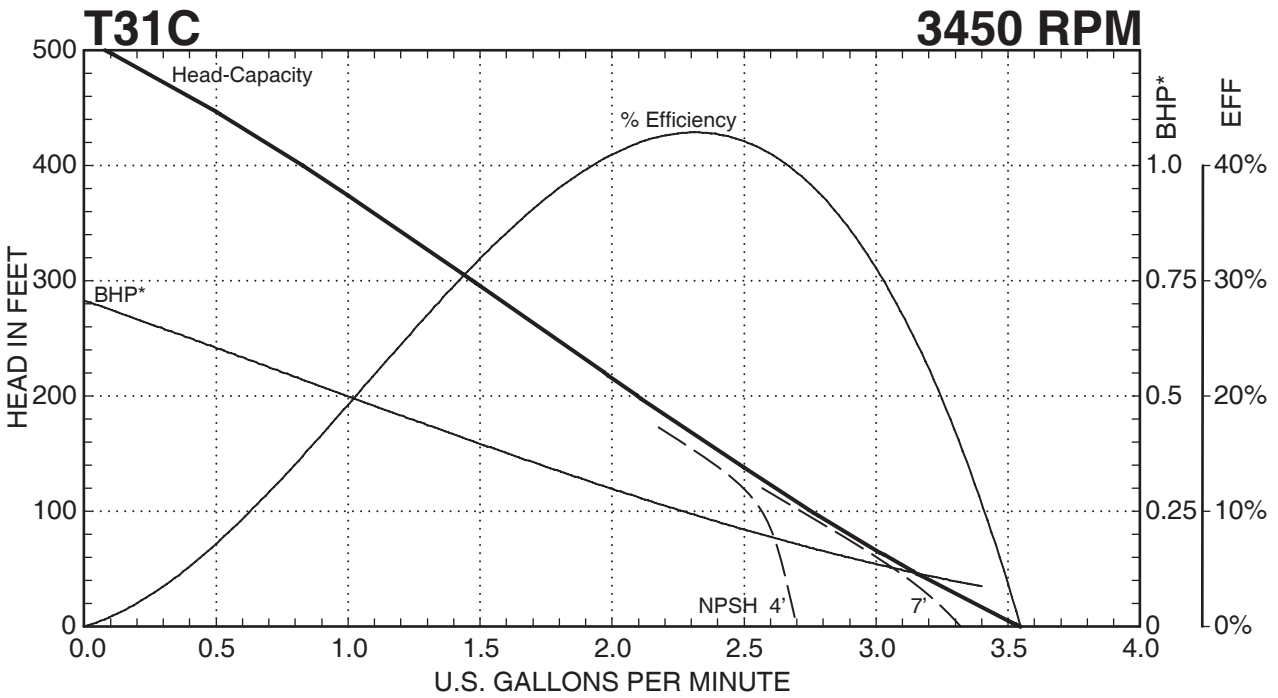
— — — Indicates altered performance at NPSH Available
 * Horsepower data is valid for 1.0 specific gravity fluids only



MTH PUMPS

401 West Main Street • Plano, IL 60545-1436
 Phone: 630-552-4115 • Fax: 630-552-3688
 Email: SALES@MTHPUMPS.COM
<http://WWW.MTHPUMPS.COM>

T31 SERIES
Performance Curves



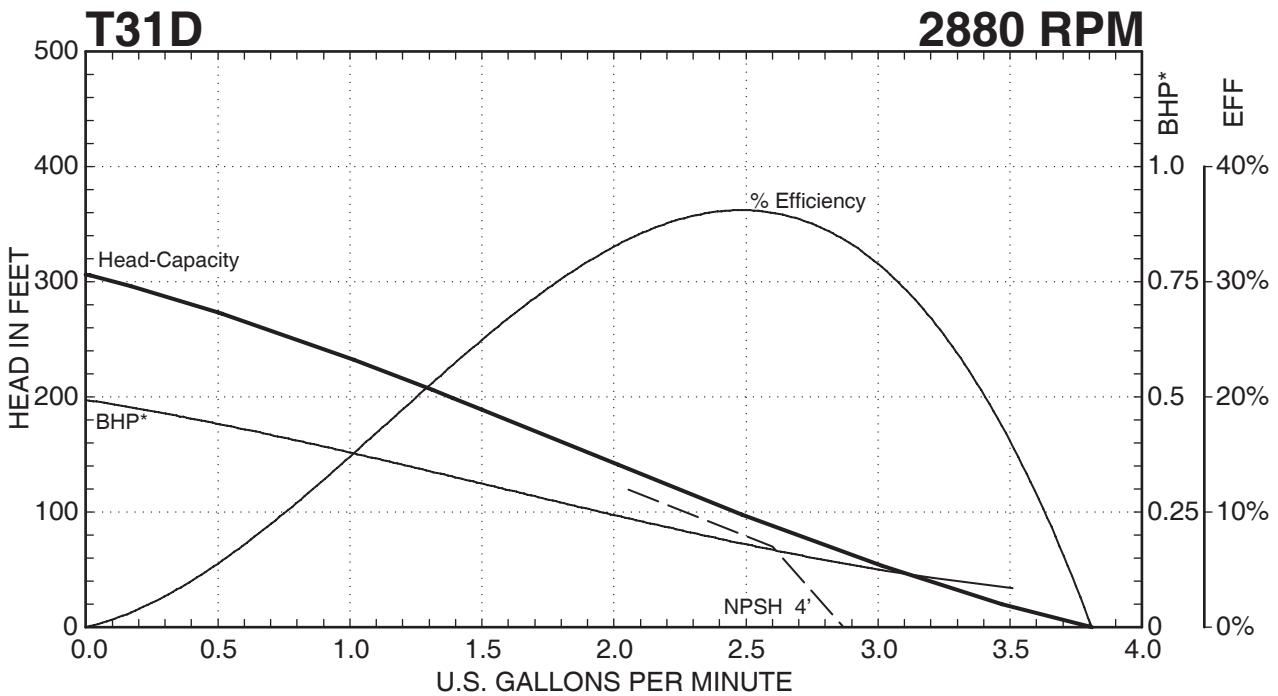
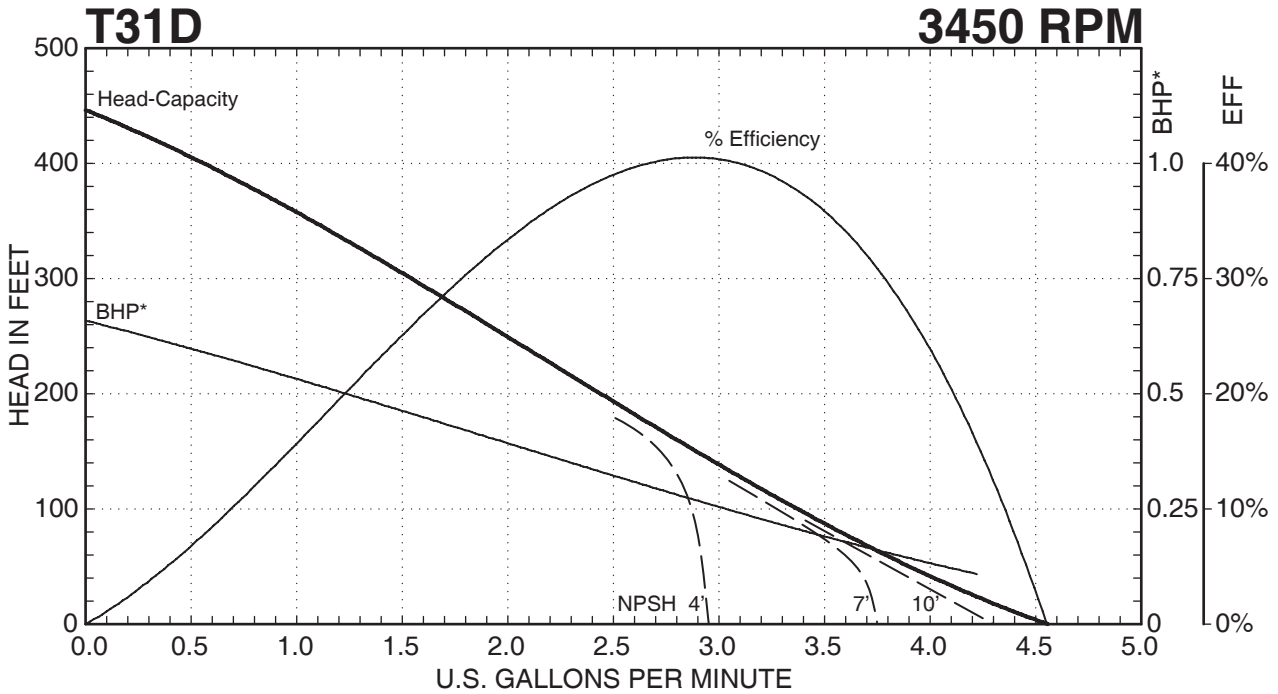
— — — Indicates altered performance at NPSH Available
 * Horsepower data is valid for 1.0 specific gravity fluids only

MTH PUMPS
 401 West Main Street • Plano, IL 60545-1436
 Phone: 630-552-4115 • Fax: 630-552-3688
 Email: SALES@MTHPUMPS.COM
<http://WWW.MTHPUMPS.COM>

T31 SERIES PUMPS

T31 SERIES

Performance Curves



T31 SERIES PUMPS

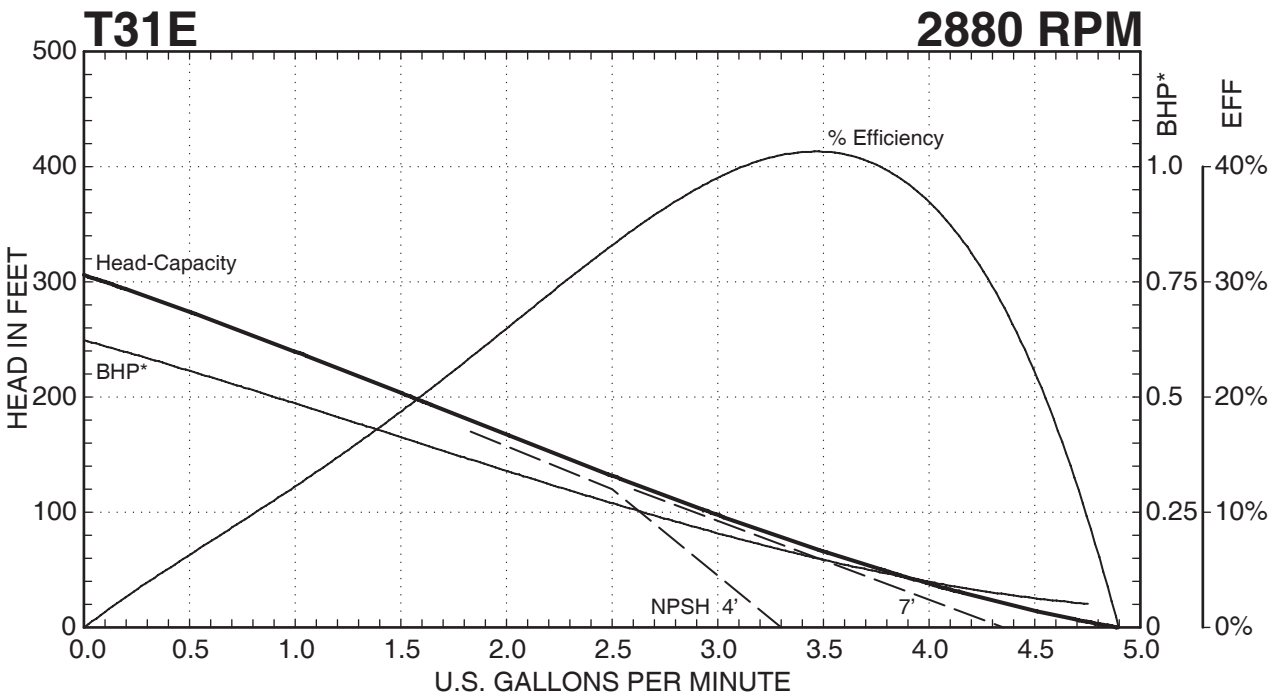
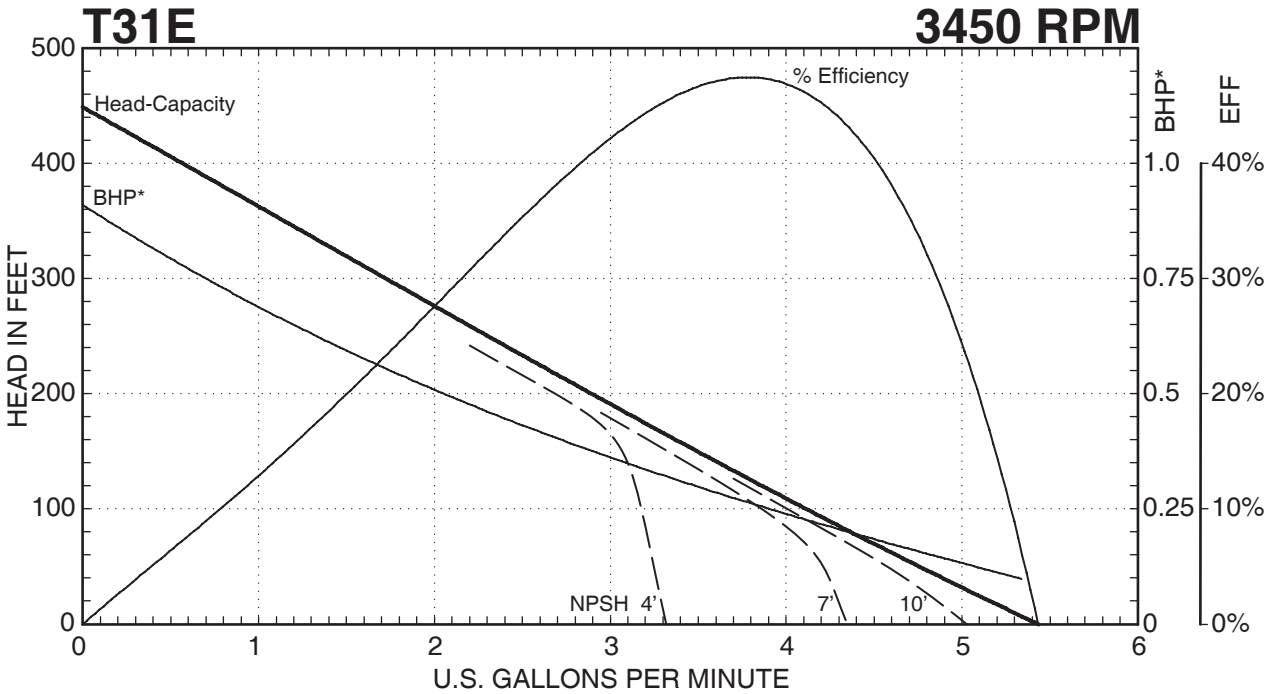
— — — Indicates altered performance at NPSH Available
 * Horsepower data is valid for 1.0 specific gravity fluids only



MTH PUMPS

401 West Main Street • Plano, IL 60545-1436
 Phone: 630-552-4115 • Fax: 630-552-3688
 Email: SALES@MTHPUMPS.COM
<http://WWW.MTHPUMPS.COM>

T31 SERIES
Performance Curves



T31 SERIES PUMPS



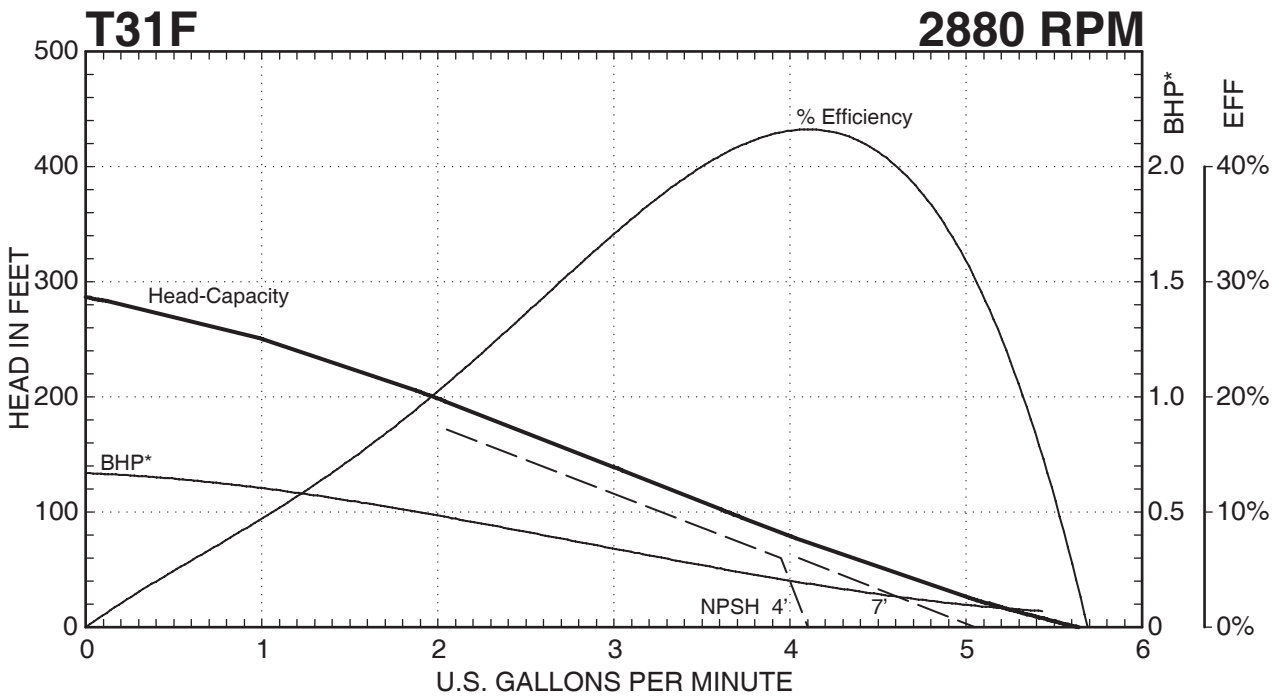
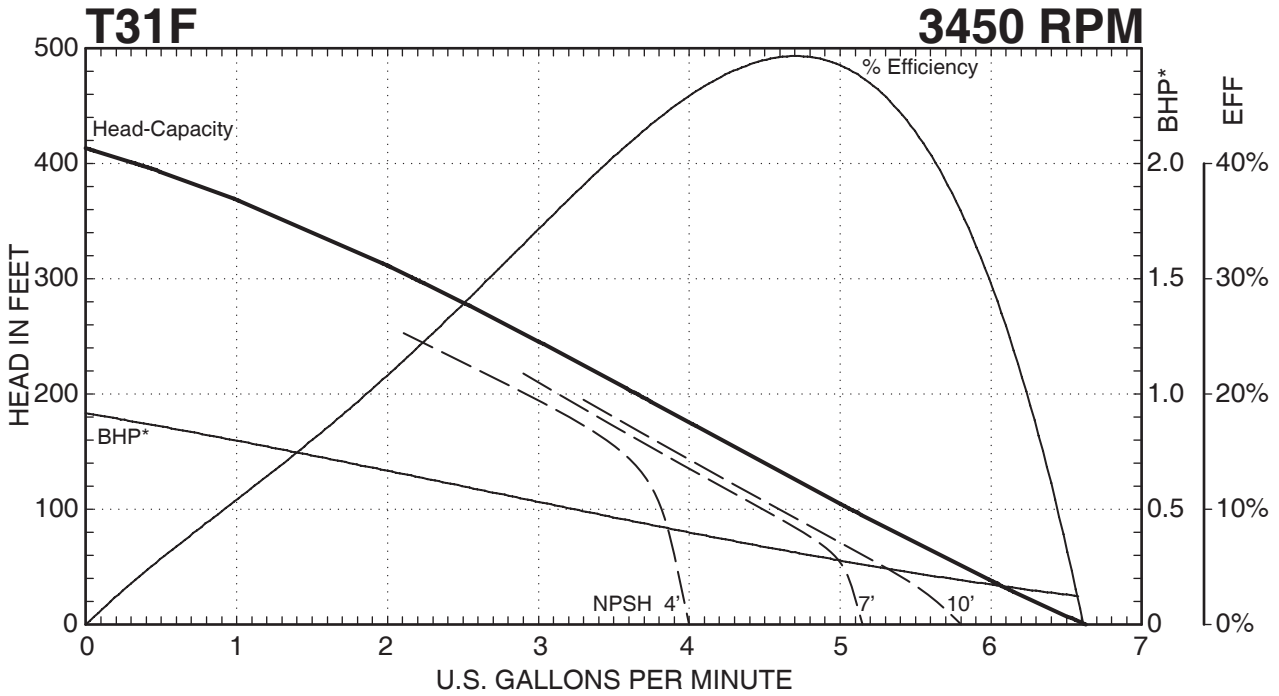
MTH PUMPS

401 West Main Street • Plano, IL 60545-1436
 Phone: 630-552-4115 • Fax: 630-552-3688
 Email: SALES@MTHPUMPS.COM
<http://WWW.MTHPUMPS.COM>

— — — Indicates altered performance at NPSH Available
 * Horsepower data is valid for 1.0 specific gravity fluids only

T31 SERIES

Performance Curves



T31 SERIES PUMPS

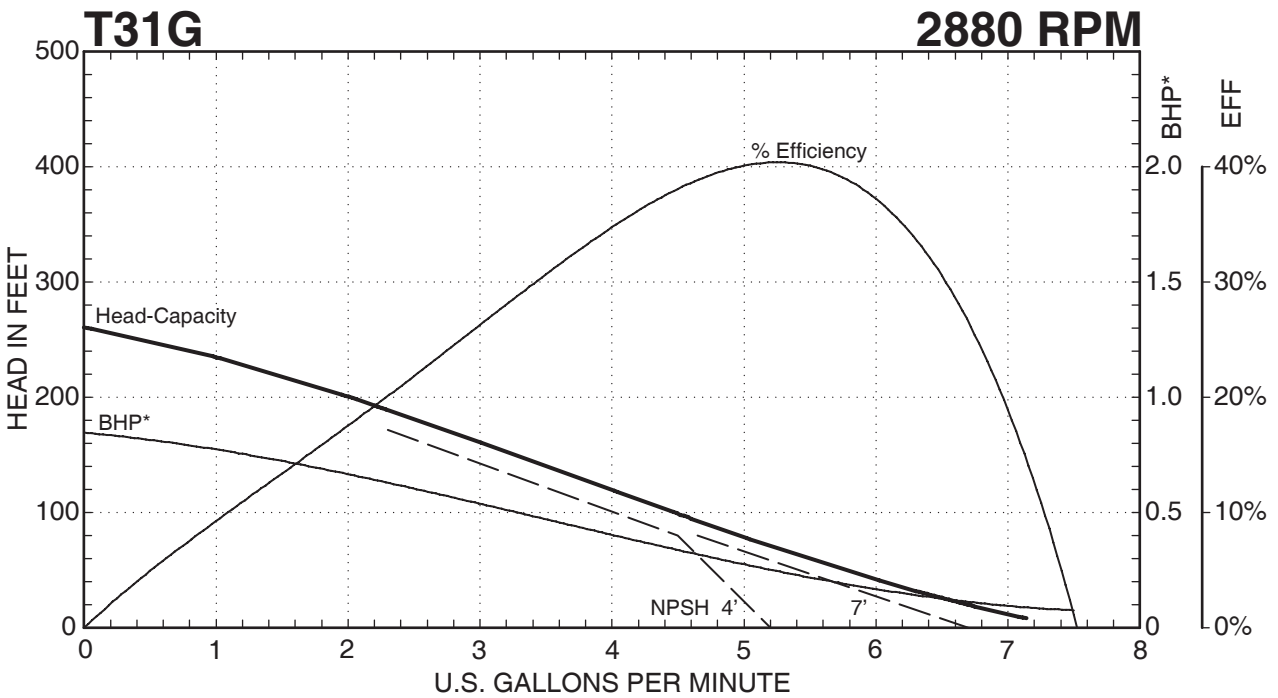
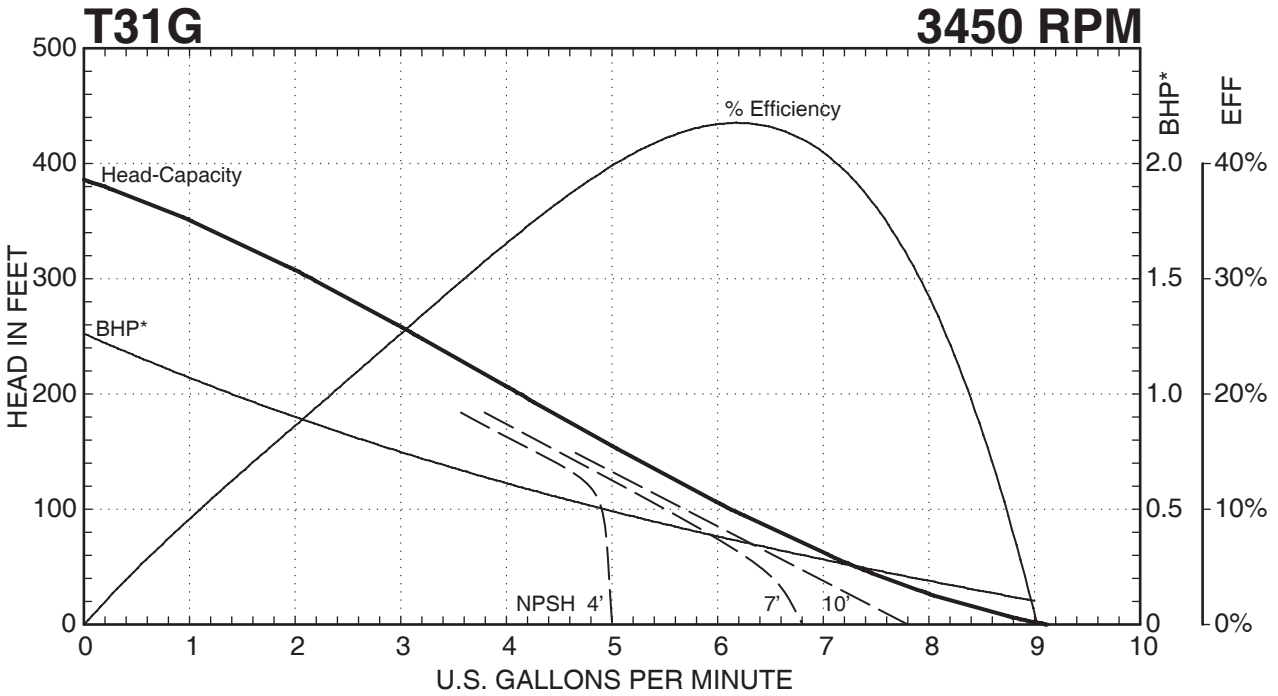


MTH PUMPS

401 West Main Street • Plano, IL 60545-1436
 Phone: 630-552-4115 • Fax: 630-552-3688
 Email: SALES@MTHPUMPS.COM
<http://WWW.MTHPUMPS.COM>

— — — Indicates altered performance at NPSH Available
 * Horsepower data is valid for 1.0 specific gravity fluids only

T31 SERIES
Performance Curves



T31 SERIES PUMPS



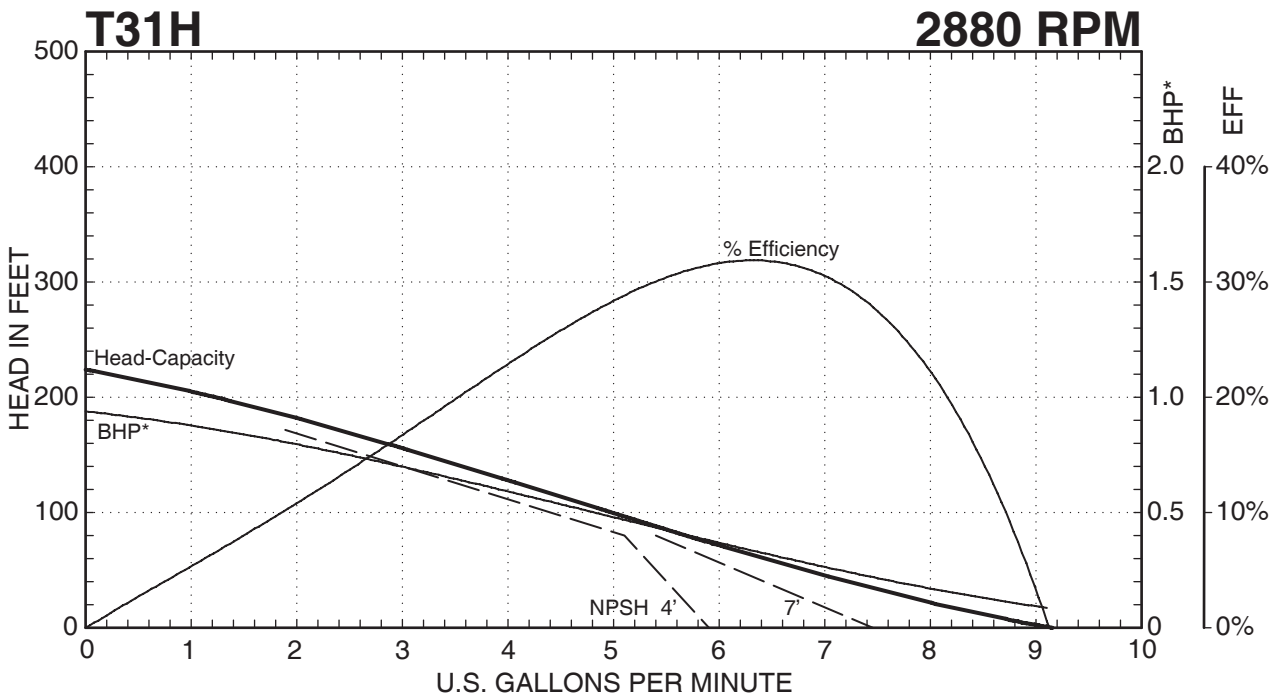
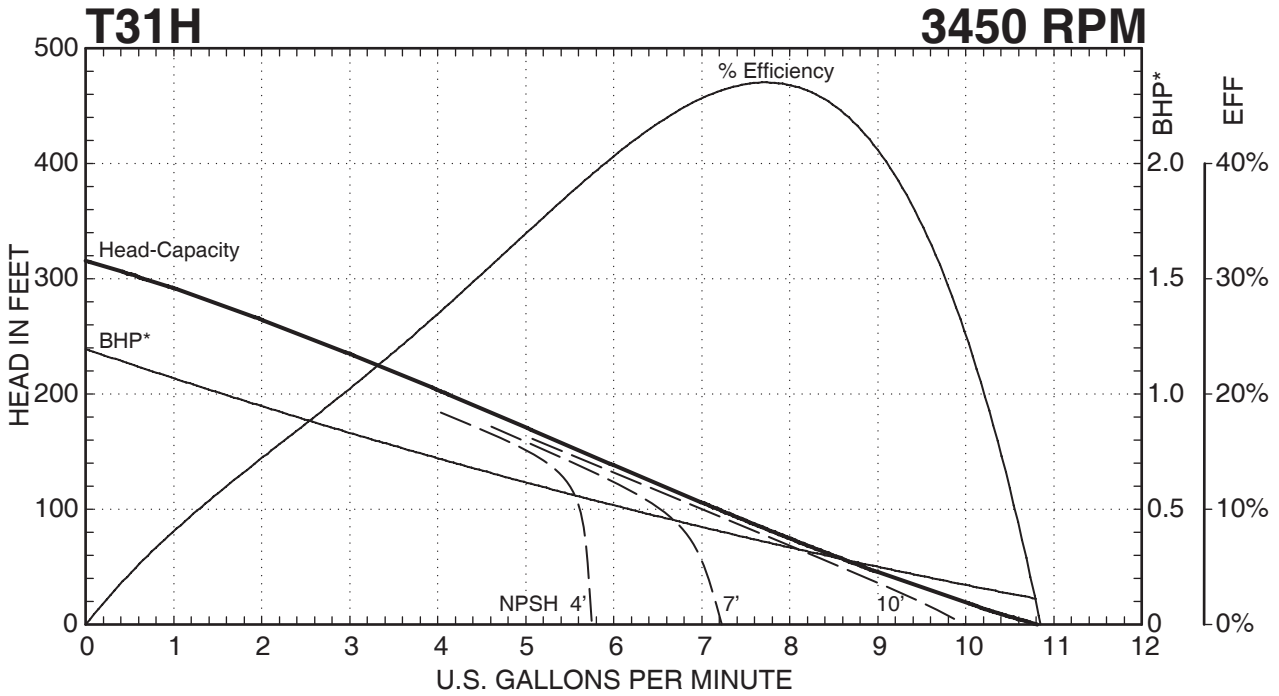
MTH PUMPS

401 West Main Street • Plano, IL 60545-1436
 Phone: 630-552-4115 • Fax: 630-552-3688
 Email: SALES@MTHPUMPS.COM
<http://WWW.MTHPUMPS.COM>

— — — Indicates altered performance at NPSH Available
 * Horsepower data is valid for 1.0 specific gravity fluids only

T31 SERIES

Performance Curves



T31 SERIES PUMPS

— — — Indicates altered performance at NPSH Available
 * Horsepower data is valid for 1.0 specific gravity fluids only

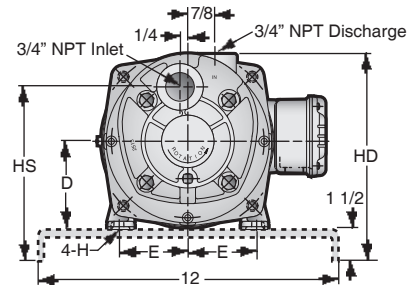
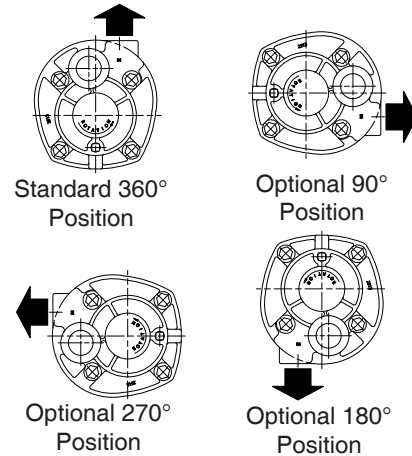
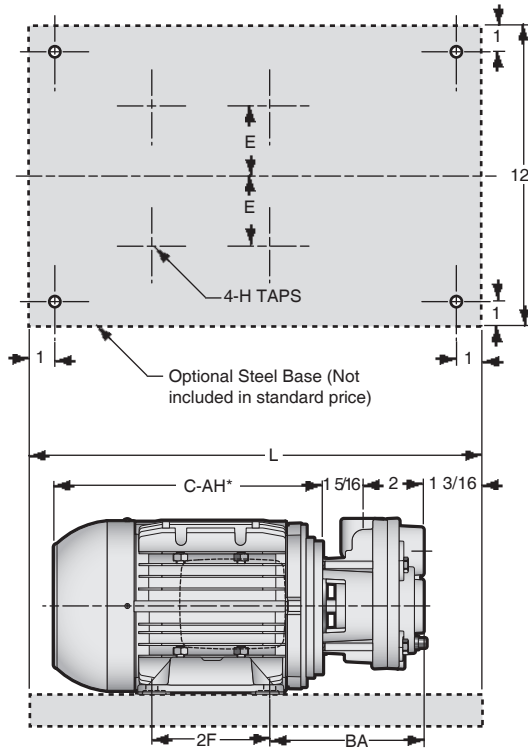


MTH PUMPS

401 West Main Street • Plano, IL 60545-1436
 Phone: 630-552-4115 • Fax: 630-552-3688
 Email: SALES@MTHPUMPS.COM
<http://WWW.MTHPUMPS.COM>

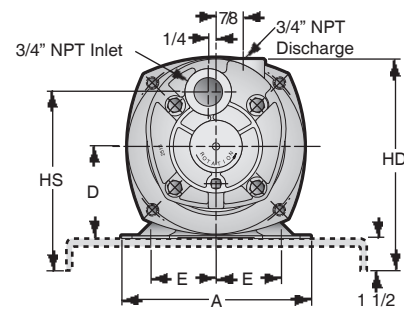
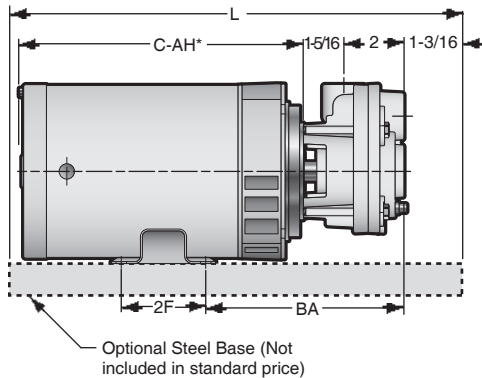
T31 SERIES Dimensions

Horizontal Close Coupled



T31 SERIES • THREE PHASE • HORIZONTAL CLOSE COUPLED

HP	FRAME	ENCL	D	E	H	BA	2F	HS	HD	L
1/3 to 1	71	TEF	2 13/16	2 3/16	1/4-20	5 3/8	3 9/16	6 1/16	7 1/8	18
1 1/2	80	TEF	3 1/8	2 7/16	3/8-16	5 1/2	3 15/16	6 3/8	7 7/16	18



T31 SERIES • SINGLE PHASE • HORIZONTAL CLOSE COUPLED

HP	FRAME	ENCL	A	D	E	H	BA	2F	HS	HD	L
1/3 ~ 1	48	ODP	6 1/4	3	2 1/8	5/16-18	6 5/16	2 3/4	6 1/4	7 5/16	18
1 1/2	56	ODP	6 1/4	3 1/2	2 1/8	5/16-18	6 3/8	2 3/4	6 3/4	7 13/16	18

NOTES

All dimensions in inches. May vary ± 1/4 inches.
Not for construction purposes unless certified.
*See motor dimension (Section Motors) for "C-AH" dimension (varies depending on motor enclosure).

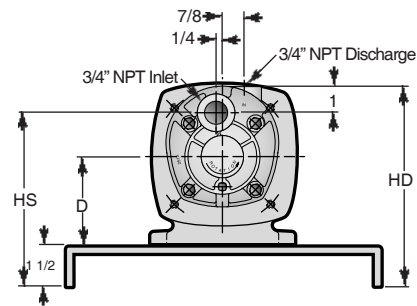
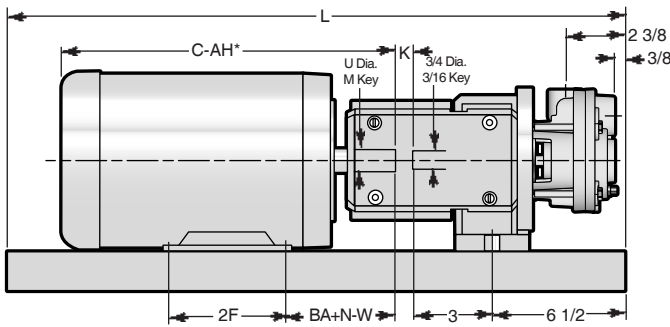
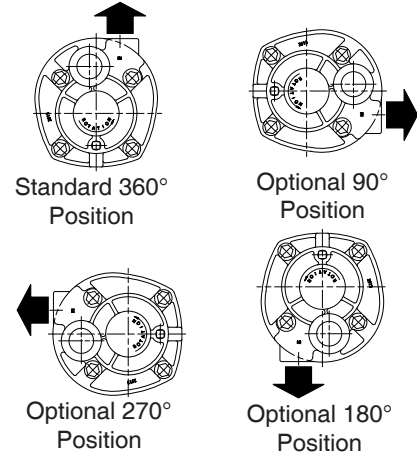
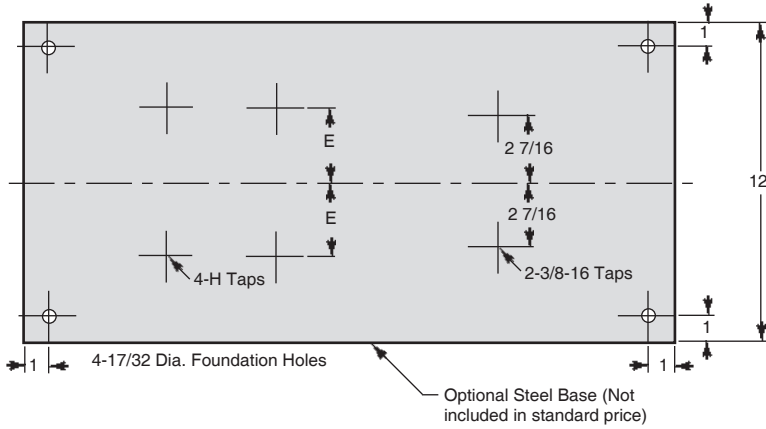


401 West Main Street • Plano, IL 60545-1436
Phone: 630-552-4115 • Fax: 630-552-3688
Email: SALES@MTHPUMPS.COM
http://WWW.MTHPUMPS.COM

T31 SERIES PUMPS

T31 SERIES

P2 Bearing Frame



T31 SERIES WITH P2 BEARING FRAME

FRAME	D	U	BA+N+W	2F	E	H	K	HS	HD	L	M
56	3 1/2	5/8	4 5/8	3	2 7/16	5/16-18	5/8	6 3/4	7 3/4	24	3/16

NOTES

All dimensions in inches. May vary ± 1/4 inches.
Not for construction purposes unless certified.

*See motor dimension (Section Motors) for "C-AH" dimension (varies depending on motor enclosure).

T31 SERIES PUMPS



MTH PUMPS

401 West Main Street • Plano, IL 60545-1436
Phone: 630-552-4115 • Fax: 630-552-3688
Email: SALES@MTHPUMPS.COM
<http://WWW.MTHPUMPS.COM>